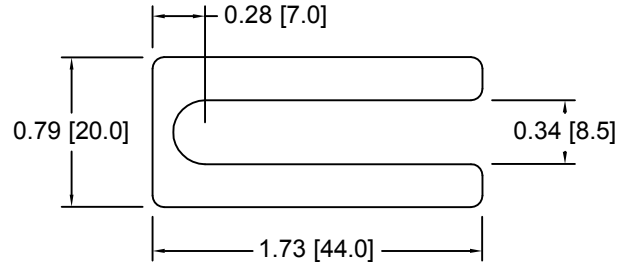


DSCCH049 Series - Individual Shims

DSC Part No.	Description	Thickness	Other part numbers
DSCCH049-M025	Metric thickness shim	.25mm	DSC402S, ASH102N
DSCCH049-M050	Metric thickness shim	.50mm	DSC405S, ASH105N
DSCCH049-M100	Metric thickness shim	1.00mm	DSC410S, ASH110N
DSCCH049-M200	Metric thickness shim	2.00mm	DSC420S, ASH120N



DSCCH049 Series - Shim Sets

DSC Part No.	Description	Thickness	Set includes
DSCCH049-M454	Four piece metric shim set	4.50mm	(1) 2.00mm, (2) 1.00mm, (1) .50mm
DSCCH049-M505	Five piece metric shim set	5.00mm	(1) 2.00mm, (2) 1.00mm, (2) .50mm
DSCCH049-M506	Six piece metric shim set	5.00mm	(1) 2.00mm, (2) 1.00mm, (1) .50mm, (2) .25mm
DSCCH049-M507	Seven piece metric shim set	5.00mm	(1) 2.00mm, (1) 1.00mm, (3) .50mm, (2) .25mm
DSCCH049-M605	Five piece metric shim set	6.00mm	(2) 2.00mm, (1) 1.00mm, (2) .50mm

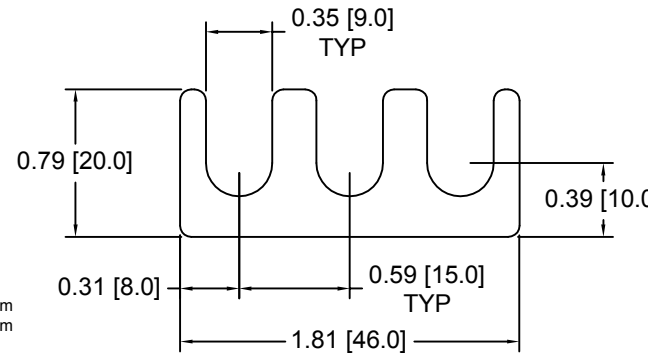
DSCCH050 Series - Individual Shims

DSC Part No.	Description	Thickness	Other part numbers
DSCCH050-M025	Metric thickness shim	.25mm	ASH302N
DSCCH050-M050	Metric thickness shim	.50mm	ASH305N
DSCCH050-M100	Metric thickness shim	1.00mm	ASH310N
DSCCH050-M200	Metric thickness shim	2.00mm	ASH320N

0.25mm and 2.00mm unfinished
0.50mm yellow dichromate
1.00mm black oxide

DSCCH050 Series - Shim Sets

DSC Part No.	Description	Thickness	Set includes
DSCCH050-M454	Four piece metric shim set	4.50mm	(1) 2.00mm, (2) 1.00mm, (1) .50mm
DSCCH050-M505	Five piece metric shim set	5.00mm	(1) 2.00mm, (2) 1.00mm, (2) .50mm
DSCCH050-M506	Six piece metric shim set	5.00mm	(1) 2.00mm, (2) 1.00mm, (1) .50mm, (2) .25mm
DSCCH050-M507	Seven piece metric shim set	5.00mm	(1) 2.00mm, (1) 1.00mm, (3) .50mm, (2) .25mm
DSCCH050-M605	Five piece metric shim set	6.00mm	(2) 2.00mm, (1) 1.00mm, (2) .50mm



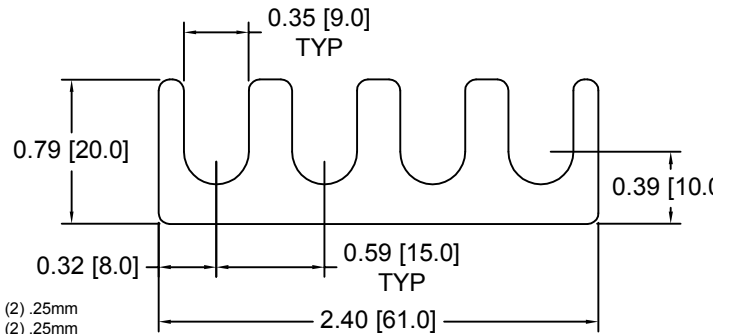
DSCCH051 Series - Individual Shims

DSC Part No.	Description	Thickness	Other part numbers
DSCCH051-M025	Metric thickness shim	.25mm	ASH402N
DSCCH051-M050	Metric thickness shim	.50mm	ASH405N
DSCCH051-M100	Metric thickness shim	1.00mm	ASH410N
DSCCH051-M200	Metric thickness shim	2.00mm	ASH420N

0.25mm and 2.00mm unfinished
0.50mm yellow dichromate
1.00mm black oxide

DSCCH051 Series - Shim Sets

DSC Part No.	Description	Thickness	Set includes
DSCCH051-M454	Four piece metric shim set	4.50mm	(1) 2.00mm, (2) 1.00mm, (1) .50mm
DSCCH051-M505	Five piece metric shim set	5.00mm	(1) 2.00mm, (2) 1.00mm, (2) .50mm
DSCCH051-M506	Six piece metric shim set	5.00mm	(1) 2.00mm, (2) 1.00mm, (1) .50mm, (2) .25mm
DSCCH051-M507	Seven piece metric shim set	5.00mm	(1) 2.00mm, (1) 1.00mm, (3) .50mm, (2) .25mm
DSCCH051-M605	Five piece metric shim set	6.00mm	(2) 2.00mm, (1) 1.00mm, (2) .50mm



DSCCH052 Series - Individual Shims

DSC Part No.	Description	Thickness	Other part numbers
DSCCH052-M025	Metric thickness shim	.25mm	DSC602S
DSCCH052-M050	Metric thickness shim	.50mm	DSC605S
DSCCH052-M100	Metric thickness shim	1.00mm	DSC610S
DSCCH052-M200	Metric thickness shim	2.00mm	DSC620S

DSCCH052 Series - Shim Sets

DSC Part No.	Description	Thickness	Set includes
DSCCH052-M454	Four piece metric shim set	4.50mm	(1) 2.00mm, (2) 1.00mm, (1) .50mm
DSCCH052-M505	Five piece metric shim set	5.00mm	(1) 2.00mm, (2) 1.00mm, (2) .50mm
DSCCH052-M506	Six piece metric shim set	5.00mm	(1) 2.00mm, (2) 1.00mm, (1) .50mm, (2) .25mm
DSCCH052-M507	Seven piece metric shim set	5.00mm	(1) 2.00mm, (1) 1.00mm, (3) .50mm, (2) .25mm
DSCCH052-M605	Five piece metric shim set	6.00mm	(2) 2.00mm, (1) 1.00mm, (2) .50mm

