

Sets are bulk shipped

**Order SHIMS by individual piece or set**

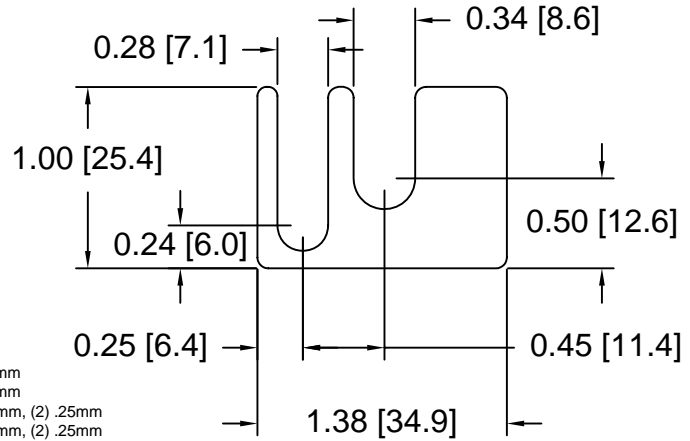
Drawings are not to scale

*Metric shims over 0.25mm thick are black oxidized*

*Slots and holes are centered unless otherwise noted*

**DSCH067 Series - Individual Shims**

DSC Part No.	Description	Thickness	Other part numbers
DSCH067-M025	Metric thickness shim	.25mm	M FS 15-EEEE
DSCH067-M050	Metric thickness shim	.50mm	M FS 15-EEE
DSCH067-M100	Metric thickness shim	1.00mm	M FS 15-EE
DSCH067-M200	Metric thickness shim	2.00mm	M FS 15-E
DSCH067-E015	Inch thickness shim	.015 inch	FS 15-EEE
DSCH067-E032	Inch thickness shim	.031 inch	FS 15-EE
DSCH067-E062	Inch thickness shim	.062 inch	FS 15-E

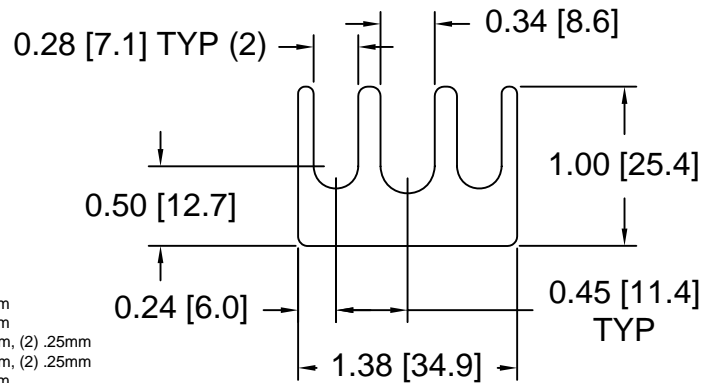


**DSCH067 Series - Shim Sets**

DSC Part No.	Description	Thickness	Set includes
DSCH067-M454	Four piece metric shim set	4.50mm	(1) 2.00mm, (2) 1.00mm, (1) .50mm
DSCH067-M505	Five piece metric shim set	5.00mm	(1) 2.00mm, (2) 1.00mm, (2) .50mm
DSCH067-M506	Six piece metric shim set	5.00mm	(1) 2.00mm, (2) 1.00mm, (1) .50mm, (2) .25mm
DSCH067-M507	Seven piece metric shim set	5.00mm	(1) 2.00mm, (1) 1.00mm, (3) .50mm, (2) .25mm
DSCH067-M605	Five piece metric shim set	6.00mm	(2) 2.00mm, (1) 1.00mm, (2) .50mm
DSCH067-E255	Five piece inch shim set	.250 inch	(3) .062 inch, (2) .031 inch

**DSCH068 Series - Individual Shims**

DSC Part No.	Description	Thickness	Other part numbers
DSCH068-M025	Metric thickness shim	.25mm	M FS 15-FFFF
DSCH068-M050	Metric thickness shim	.50mm	M FS 15-FFF
DSCH068-M100	Metric thickness shim	1.00mm	M FS 15-FF
DSCH068-M200	Metric thickness shim	2.00mm	M FS 15-F
DSCH068-E015	Inch thickness shim	.015 inch	FS 15-FFF
DSCH068-E032	Inch thickness shim	.031 inch	FS 15-FF
DSCH068-E062	Inch thickness shim	.062 inch	FS 15-F

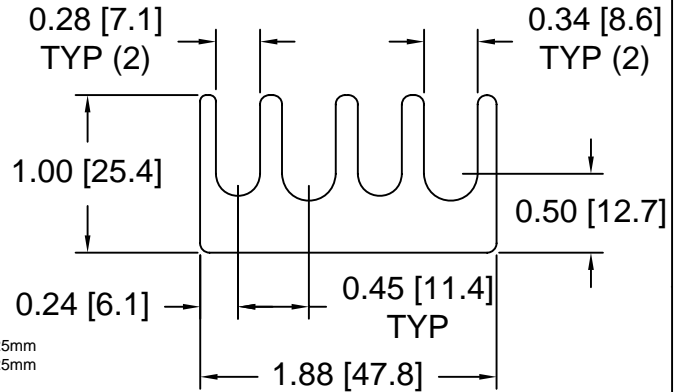


**DSCH068 Series - Shim Sets**

DSC Part No.	Description	Thickness	Set includes
DSCH068-M454	Four piece metric shim set	4.50mm	(1) 2.00mm, (2) 1.00mm, (1) .50mm
DSCH068-M505	Five piece metric shim set	5.00mm	(1) 2.00mm, (2) 1.00mm, (2) .50mm
DSCH068-M506	Six piece metric shim set	5.00mm	(1) 2.00mm, (2) 1.00mm, (1) .50mm, (2) .25mm
DSCH068-M507	Seven piece metric shim set	5.00mm	(1) 2.00mm, (1) 1.00mm, (3) .50mm, (2) .25mm
DSCH068-M605	Five piece metric shim set	6.00mm	(2) 2.00mm, (1) 1.00mm, (2) .50mm
DSCH068-E255	Five piece inch shim set	.250 inch	(3) .062 inch, (2) .031 inch

**DSCH069 Series - Individual Shims**

DSC Part No.	Description	Thickness	Other part numbers
DSCH069-M025	Metric thickness shim	.25mm	M FS 15-GGGG
DSCH069-M050	Metric thickness shim	.50mm	M FS 15-GGG
DSCH069-M100	Metric thickness shim	1.00mm	M FS 15-GG
DSCH069-M200	Metric thickness shim	2.00mm	M FS 15-G
DSCH069-E015	Inch thickness shim	.015 inch	FS 15-GGG
DSCH069-E032	Inch thickness shim	.031 inch	FS 15-GG
DSCH069-E062	Inch thickness shim	.062 inch	FS 15-G

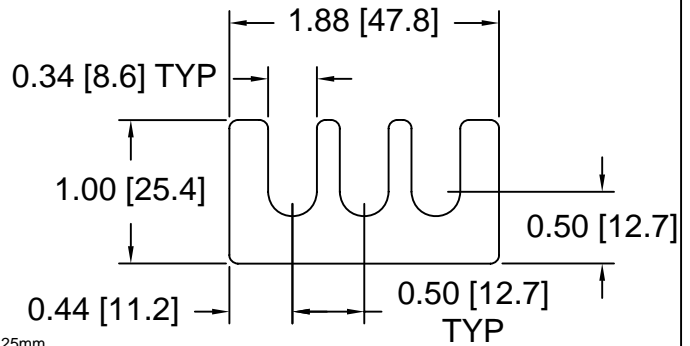


**DSCH069 Series - Shim Sets**

DSC Part No.	Description	Thickness	Set includes
DSCH069-M454	Four piece metric shim set	4.50mm	(1) 2.00mm, (2) 1.00mm, (1) .50mm
DSCH069-M505	Five piece metric shim set	5.00mm	(1) 2.00mm, (2) 1.00mm, (2) .50mm
DSCH069-M506	Six piece metric shim set	5.00mm	(1) 2.00mm, (2) 1.00mm, (1) .50mm, (2) .25mm
DSCH069-M507	Seven piece metric shim set	5.00mm	(1) 2.00mm, (1) 1.00mm, (3) .50mm, (2) .25mm
DSCH069-M605	Five piece metric shim set	6.00mm	(2) 2.00mm, (1) 1.00mm, (2) .50mm
DSCH069-E255	Five piece inch shim set	.250 inch	(3) .062 inch, (2) .031 inch

**DSCH070 Series - Individual Shims**

DSC Part No.	Description	Thickness	Other part numbers
DSCH070-M025	Metric thickness shim	.25mm	M FS 15-HHHH, GSD-D-25
DSCH070-M050	Metric thickness shim	.50mm	M FS 15-HHH, GSD-D-50
DSCH070-M100	Metric thickness shim	1.00mm	M FS 15-HH, GSD-D-1
DSCH070-M200	Metric thickness shim	2.00mm	M FS 15-H, GSD-D-2
DSCH070-E015	Inch thickness shim	.015 inch	FS 15-HHH
DSCH070-E032	Inch thickness shim	.031 inch	FS 15-HH
DSCH070-E062	Inch thickness shim	.062 inch	FS 15-H



**DSCH070 Series - Shim Sets**

DSC Part No.	Description	Thickness	Set includes
DSCH070-M454	Four piece metric shim set	4.50mm	(1) 2.00mm, (2) 1.00mm, (1) .50mm
DSCH070-M505	Five piece metric shim set	5.00mm	(1) 2.00mm, (2) 1.00mm, (2) .50mm
DSCH070-M506	Six piece metric shim set	5.00mm	(1) 2.00mm, (2) 1.00mm, (1) .50mm, (2) .25mm
DSCH070-M507	Seven piece metric shim set	5.00mm	(1) 2.00mm, (1) 1.00mm, (3) .50mm, (2) .25mm
DSCH070-M605	Five piece metric shim set	6.00mm	(2) 2.00mm, (1) 1.00mm, (2) .50mm
DSCH070-E255	Five piece inch shim set	.250 inch	(3) .062 inch, (2) .031 inch

Douglas Stamping Company (248) 542-3940 FAX (248) 542-6342

<http://dougstampco.com> [sales@dougstampco.com](mailto:sales@dougstampco.com)