

Sets are bulk shipped

**Order SHIMS by individual piece or set**

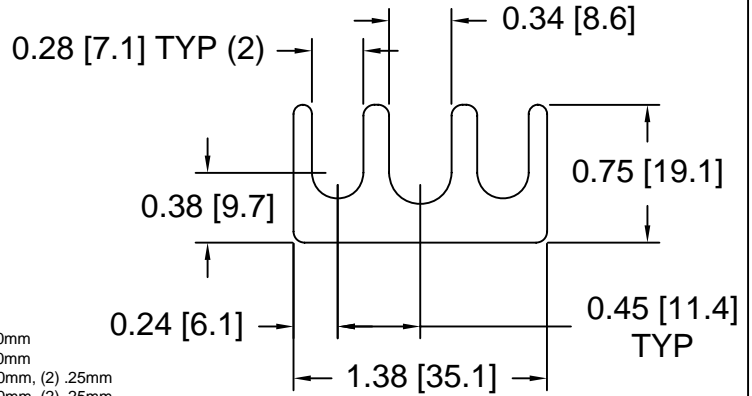
Drawings are not to scale

*Metric shims over 0.25mm thick are black oxidized*

*Slots and holes are centered unless otherwise noted*

**DSCH071 Series - Individual Shims**

DSC Part No.	Description	Thickness	Other part numbers
DSCH071-M025	Metric thickness shim	.25mm	M FS 15-JJJ
DSCH071-M050	Metric thickness shim	.50mm	M FS 15-JJJ
DSCH071-M100	Metric thickness shim	1.00mm	M FS 15-JJ
DSCH071-M200	Metric thickness shim	2.00mm	M FS 15-J
DSCH071-E015	Inch thickness shim	.015 inch	FS 15-JJJ
DSCH071-E032	Inch thickness shim	.031 inch	FS 15-JJ
DSCH071-E062	Inch thickness shim	.062 inch	FS 15-J

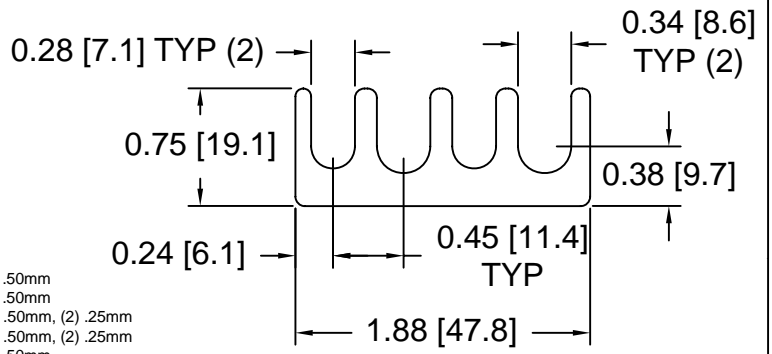


**DSCH071 Series - Shim Sets**

DSC Part No.	Description	Thickness	Set includes
DSCH071-M454	Four piece metric shim set	4.50mm	(1) 2.00mm, (2) 1.00mm, (1) .50mm
DSCH071-M505	Five piece metric shim set	5.00mm	(1) 2.00mm, (2) 1.00mm, (2) .50mm
DSCH071-M506	Six piece metric shim set	5.00mm	(1) 2.00mm, (2) 1.00mm, (1) .50mm, (2) .25mm
DSCH071-M507	Seven piece metric shim set	5.00mm	(1) 2.00mm, (1) 1.00mm, (3) .50mm, (2) .25mm
DSCH071-M605	Five piece metric shim set	6.00mm	(2) 2.00mm, (1) 1.00mm, (2) .50mm
DSCH071-E255	Five piece inch shim set	.250 inch	(3) .062 inch, (2) .031 inch

**DSCH072 Series - Individual Shims**

DSC Part No.	Description	Thickness	Other part numbers
DSCH072-M025	Metric thickness shim	.25mm	M FS 15-KKKK
DSCH072-M050	Metric thickness shim	.50mm	M FS 15-KKK
DSCH072-M100	Metric thickness shim	1.00mm	M FS 15-KK
DSCH072-M200	Metric thickness shim	2.00mm	M FS 15-K
DSCH072-E015	Inch thickness shim	.015 inch	FS 15-KKK
DSCH072-E032	Inch thickness shim	.031 inch	FS 15-KK
DSCH072-E062	Inch thickness shim	.062 inch	FS 15-K

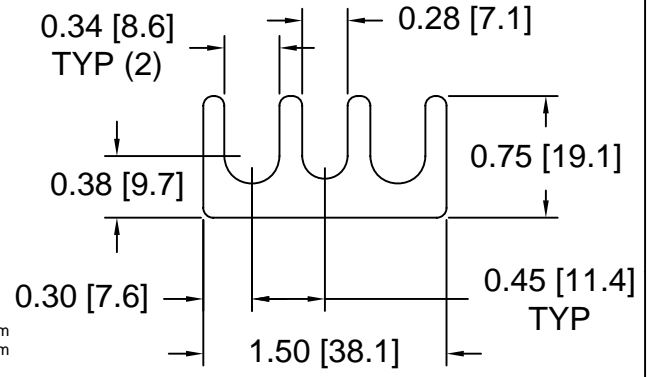


**DSCH072 Series - Shim Sets**

DSC Part No.	Description	Thickness	Set includes
DSCH072-M454	Four piece metric shim set	4.50mm	(1) 2.00mm, (2) 1.00mm, (1) .50mm
DSCH072-M505	Five piece metric shim set	5.00mm	(1) 2.00mm, (2) 1.00mm, (2) .50mm
DSCH072-M506	Six piece metric shim set	5.00mm	(1) 2.00mm, (2) 1.00mm, (1) .50mm, (2) .25mm
DSCH072-M507	Seven piece metric shim set	5.00mm	(1) 2.00mm, (1) 1.00mm, (3) .50mm, (2) .25mm
DSCH072-M605	Five piece metric shim set	6.00mm	(2) 2.00mm, (1) 1.00mm, (2) .50mm
DSCH072-E255	Five piece inch shim set	.250 inch	(3) .062 inch, (2) .031 inch

**DSCH073 Series - Individual Shims**

DSC Part No.	Description	Thickness	Other part numbers
DSCH073-M025	Metric thickness shim	.25mm	M FS 15-LLLL
DSCH073-M050	Metric thickness shim	.50mm	M FS 15-LLL
DSCH073-M100	Metric thickness shim	1.00mm	M FS 15-LL
DSCH073-M200	Metric thickness shim	2.00mm	M FS 15-L
DSCH073-E015	Inch thickness shim	.015 inch	FS 15-LLL
DSCH073-E032	Inch thickness shim	.031 inch	FS 15-LL
DSCH073-E062	Inch thickness shim	.062 inch	FS 15-L

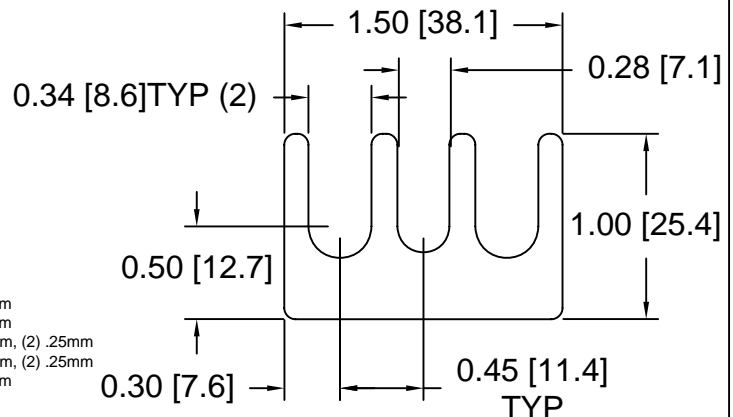


**DSCH073 Series - Shim Sets**

DSC Part No.	Description	Thickness	Set includes
DSCH073-M454	Four piece metric shim set	4.50mm	(1) 2.00mm, (2) 1.00mm, (1) .50mm
DSCH073-M505	Five piece metric shim set	5.00mm	(1) 2.00mm, (2) 1.00mm, (2) .50mm
DSCH073-M506	Six piece metric shim set	5.00mm	(1) 2.00mm, (2) 1.00mm, (1) .50mm, (2) .25mm
DSCH073-M507	Seven piece metric shim set	5.00mm	(1) 2.00mm, (1) 1.00mm, (3) .50mm, (2) .25mm
DSCH073-M605	Five piece metric shim set	6.00mm	(2) 2.00mm, (1) 1.00mm, (2) .50mm
DSCH073-E255	Five piece inch shim set	.250 inch	(3) .062 inch, (2) .031 inch

**DSCH074 Series - Individual Shims**

DSC Part No.	Description	Thickness	Other part numbers
DSCH074-M025	Metric thickness shim	.25mm	M FS 15-MMMM
DSCH074-M050	Metric thickness shim	.50mm	M FS 15-MMM
DSCH074-M100	Metric thickness shim	1.00mm	M FS 15-MM
DSCH074-M200	Metric thickness shim	2.00mm	M FS 15-M
DSCH074-E015	Inch thickness shim	.015 inch	FS 15-MMM
DSCH074-E032	Inch thickness shim	.031 inch	FS 15-MM
DSCH074-E062	Inch thickness shim	.062 inch	FS 15-M



**DSCH074 Series - Shim Sets**

DSC Part No.	Description	Thickness	Set includes
DSCH074-M454	Four piece metric shim set	4.50mm	(1) 2.00mm, (2) 1.00mm, (1) .50mm
DSCH074-M505	Five piece metric shim set	5.00mm	(1) 2.00mm, (2) 1.00mm, (2) .50mm
DSCH074-M506	Six piece metric shim set	5.00mm	(1) 2.00mm, (2) 1.00mm, (1) .50mm, (2) .25mm
DSCH074-M507	Seven piece metric shim set	5.00mm	(1) 2.00mm, (1) 1.00mm, (3) .50mm, (2) .25mm
DSCH074-M605	Five piece metric shim set	6.00mm	(2) 2.00mm, (1) 1.00mm, (2) .50mm
DSCH074-E255	Five piece inch shim set	.250 inch	(3) .062 inch, (2) .031 inch

Douglas Stamping Company (248) 542-3940 FAX (248) 542-6342

<http://dougstampco.com> [sales@dougstampco.com](mailto:sales@dougstampco.com)