

Sets are bulk shipped

Order SHIMS by individual piece or set

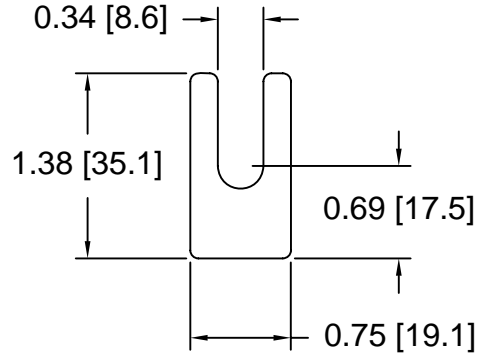
Drawings are not to scale

Metric shims over 0.25mm thick are black oxidized

Slots and holes are centered unless otherwise noted

DSCH075 Series - Individual Shims

DSC Part No.	Description	Thickness	Other part numbers
DSCH075-M025	Metric thickness shim	.25mm	M FS 15-NNNN
DSCH075-M050	Metric thickness shim	.50mm	M FS 15-NNN
DSCH075-M100	Metric thickness shim	1.00mm	M FS 15-NN
DSCH075-M200	Metric thickness shim	2.00mm	M FS 15-N
DSCH075-E015	Inch thickness shim	.015 inch	FS 15-NNN
DSCH075-E032	Inch thickness shim	.031 inch	FS 15-NN
DSCH075-E062	Inch thickness shim	.062 inch	FS 15-N

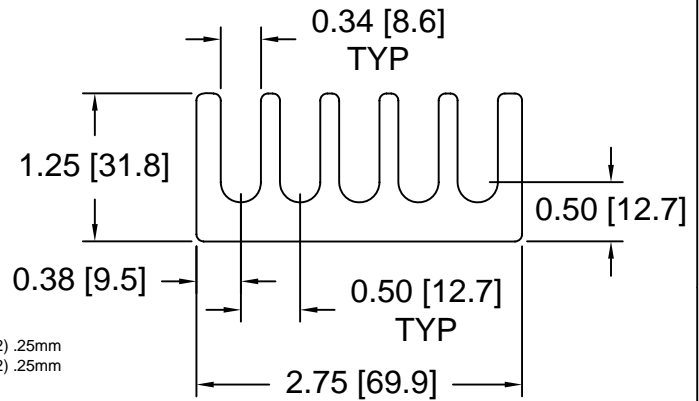


DSCH075 Series - Shim Sets

DSC Part No.	Description	Thickness	Set includes
DSCH075-M454	Four piece metric shim set	4.50mm	(1) 2.00mm, (2) 1.00mm, (1) .50mm
DSCH075-M505	Five piece metric shim set	5.00mm	(1) 2.00mm, (2) 1.00mm, (2) .50mm
DSCH075-M506	Six piece metric shim set	5.00mm	(1) 2.00mm, (2) 1.00mm, (1) .50mm, (2) .25mm
DSCH075-M507	Seven piece metric shim set	5.00mm	(1) 2.00mm, (1) 1.00mm, (3) .50mm, (2) .25mm
DSCH075-M605	Five piece metric shim set	6.00mm	(2) 2.00mm, (1) 1.00mm, (2) .50mm
DSCH075-E255	Five piece inch shim set	.250 inch	(3) .062 inch, (2) .031 inch

DSCH076 Series - Individual Shims

DSC Part No.	Description	Thickness	Other part numbers
DSCH076-M025	Metric thickness shim	.25mm	M FS 15-PPPP
DSCH076-M050	Metric thickness shim	.50mm	M FS 15-PPP
DSCH076-M100	Metric thickness shim	1.00mm	M FS 15-PP
DSCH076-M200	Metric thickness shim	2.00mm	M FS 15-P
DSCH076-E015	Inch thickness shim	.015 inch	FS 15-PPPP
DSCH076-E032	Inch thickness shim	.031 inch	FS 15-PP
DSCH076-E062	Inch thickness shim	.062 inch	FS 15-P

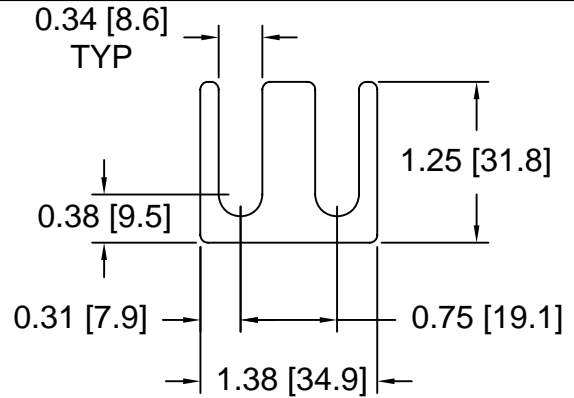


DSCH076 Series - Shim Sets

DSC Part No.	Description	Thickness	Set includes
DSCH076-M454	Four piece metric shim set	4.50mm	(1) 2.00mm, (2) 1.00mm, (1) .50mm
DSCH076-M505	Five piece metric shim set	5.00mm	(1) 2.00mm, (2) 1.00mm, (2) .50mm
DSCH076-M506	Six piece metric shim set	5.00mm	(1) 2.00mm, (2) 1.00mm, (1) .50mm, (2) .25mm
DSCH076-M507	Seven piece metric shim set	5.00mm	(1) 2.00mm, (1) 1.00mm, (3) .50mm, (2) .25mm
DSCH076-M605	Five piece metric shim set	6.00mm	(2) 2.00mm, (1) 1.00mm, (2) .50mm
DSCH076-E255	Five piece inch shim set	.250 inch	(3) .062 inch, (2) .031 inch

DSCH077 Series - Individual Shims

DSC Part No.	Description	Thickness	Other part numbers
DSCH077-M025	Metric thickness shim	.25mm	M FS 15-RRRR
DSCH077-M050	Metric thickness shim	.50mm	M FS 15-RRR
DSCH077-M100	Metric thickness shim	1.00mm	M FS 15-RR
DSCH077-M200	Metric thickness shim	2.00mm	M FS 15-R
DSCH077-E015	Inch thickness shim	.015 inch	FS 15-RRR
DSCH077-E032	Inch thickness shim	.031 inch	FS 15-RR
DSCH077-E062	Inch thickness shim	.062 inch	FS 15-R

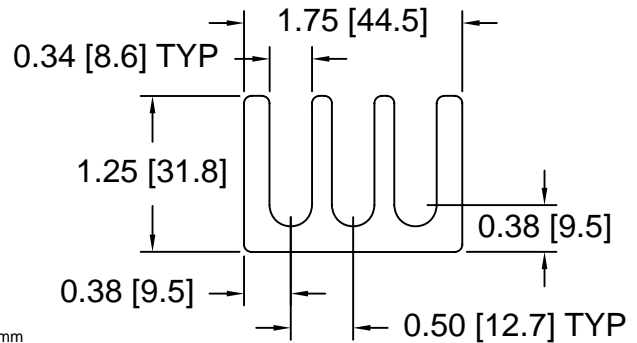


DSCH077 Series - Shim Sets

DSC Part No.	Description	Thickness	Set includes
DSCH077-M454	Four piece metric shim set	4.50mm	(1) 2.00mm, (2) 1.00mm, (1) .50mm
DSCH077-M505	Five piece metric shim set	5.00mm	(1) 2.00mm, (2) 1.00mm, (2) .50mm
DSCH077-M506	Six piece metric shim set	5.00mm	(1) 2.00mm, (2) 1.00mm, (1) .50mm, (2) .25mm
DSCH077-M507	Seven piece metric shim set	5.00mm	(1) 2.00mm, (1) 1.00mm, (3) .50mm, (2) .25mm
DSCH077-M605	Five piece metric shim set	6.00mm	(2) 2.00mm, (1) 1.00mm, (2) .50mm
DSCH077-E255	Five piece inch shim set	.250 inch	(3) .062 inch, (2) .031 inch

DSCH078 Series - Individual Shims

DSC Part No.	Description	Thickness	Other part numbers
DSCH078-M025	Metric thickness shim	.25mm	M FS 15-TTTT
DSCH078-M050	Metric thickness shim	.50mm	M FS 15-TTT
DSCH078-M100	Metric thickness shim	1.00mm	M FS 15-TT
DSCH078-M200	Metric thickness shim	2.00mm	M FS 15-T
DSCH078-E015	Inch thickness shim	.015 inch	FS 15-TTT
DSCH078-E032	Inch thickness shim	.031 inch	FS 15-TT
DSCH078-E062	Inch thickness shim	.062 inch	FS 15-T



DSCH078 Series - Shim Sets

DSC Part No.	Description	Thickness	Set includes
DSCH078-M454	Four piece metric shim set	4.50mm	(1) 2.00mm, (2) 1.00mm, (1) .50mm
DSCH078-M505	Five piece metric shim set	5.00mm	(1) 2.00mm, (2) 1.00mm, (2) .50mm
DSCH078-M506	Six piece metric shim set	5.00mm	(1) 2.00mm, (2) 1.00mm, (1) .50mm, (2) .25mm
DSCH078-M507	Seven piece metric shim set	5.00mm	(1) 2.00mm, (1) 1.00mm, (3) .50mm, (2) .25mm
DSCH078-M605	Five piece metric shim set	6.00mm	(2) 2.00mm, (1) 1.00mm, (2) .50mm
DSCH078-E255	Five piece inch shim set	.250 inch	(3) .062 inch, (2) .031 inch

Douglas Stamping Company (248) 542-3940 FAX (248) 542-6342

<http://dougstampco.com> sales@dougstampco.com