

Sets are bulk shipped

**Order SHIMS by individual piece or set**

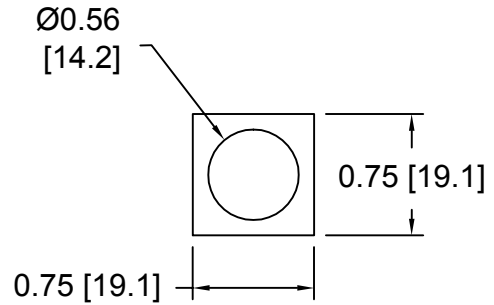
Drawings are not to scale

*Metric shims over 0.25mm thick are black oxidized*

*Slots and holes are centered unless otherwise noted*

**DSCH083 Series - Individual Shims**

DSC Part No.	Description	Thickness	Other part numbers
DSCH083-E015	Inch thickness shim.....	.015 inch.....	CSS 33-3
DSCH083-E032	Inch thickness shim.....	.031 inch.....	CSS 33-1
DSCH083-E062	Inch thickness shim.....	.062 inch.....	CSS 33-2

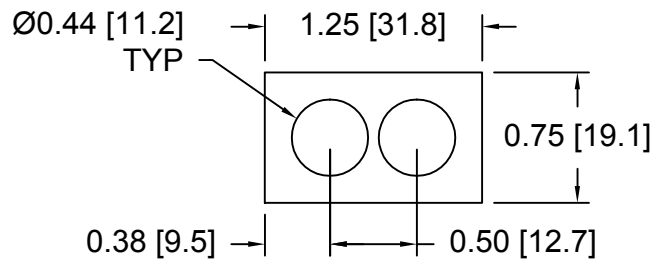


**DSCH083 Series - Shim Sets**

DSC Part No.	Description	Thickness	Set includes
DSCH083-E155	Five piece inch shim set..... (This set also known as 42-530-2500)	.150 inch.....	(1) .062 inch, (2) .031 inch, (2) .015 inch

**DSCH084 Series - Individual Shims**

DSC Part No.	Description	Thickness	Other part numbers
DSCH084-E015	Inch thickness shim.....	.015 inch.....	CSS 35-3
DSCH084-E032	Inch thickness shim.....	.031 inch.....	CSS 35-1
DSCH084-E062	Inch thickness shim.....	.062 inch.....	CSS 35-2

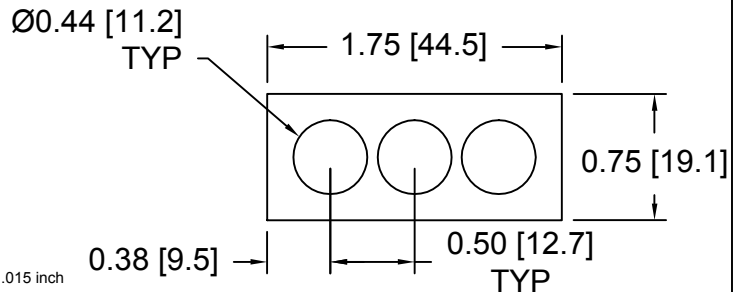


**DSCH084 Series - Shim Sets**

DSC Part No.	Description	Thickness	Set includes
DSCH084-E155	Five piece inch shim set..... (This set also known as 42-530-2525)	.150 inch.....	(1) .062 inch, (2) .031 inch, (2) .015 inch

**DSCH085 Series - Individual Shims**

DSC Part No.	Description	Thickness	Other part numbers
DSCH085-E015	Inch thickness shim.....	.015 inch.....	CSS 37-3
DSCH085-E032	Inch thickness shim.....	.031 inch.....	CSS 37-1
DSCH085-E062	Inch thickness shim.....	.062 inch.....	CSS 37-2

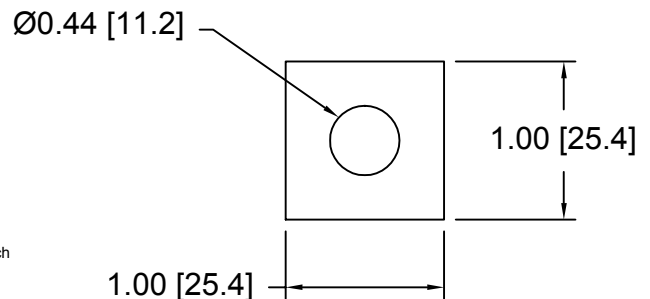


**DSCH085 Series - Shim Sets**

DSC Part No.	Description	Thickness	Set includes
DSCH085-E155	Five piece inch shim set..... (This set also known as 42-530-2575)	.150 inch.....	(1) .062 inch, (2) .031 inch, (2) .015 inch

**DSCH086 Series - Individual Shims**

DSC Part No.	Description	Thickness	Other part numbers
DSCH086-E015	Inch thickness shim.....	.015 inch.....	CSS 44-3
DSCH086-E032	Inch thickness shim.....	.031 inch.....	CSS 44-1
DSCH086-E062	Inch thickness shim.....	.062 inch.....	CSS 44-2



**DSCH086 Series - Shim Sets**

DSC Part No.	Description	Thickness	Set includes
DSCH086-E155	Five piece inch shim set..... (This set also known as 42-530-2600)	.150 inch.....	(1) .062 inch, (2) .031 inch, (2) .015 inch

Douglas Stamping Company (248) 542-3940 FAX (248) 542-6342

<http://dougstampco.com> [sales@dougstampco.com](mailto:sales@dougstampco.com)