

Sets are bulk shipped

Order SHIMS by individual piece or set

Drawings are not to scale

Metric shims over 0.25mm thick are black oxidized

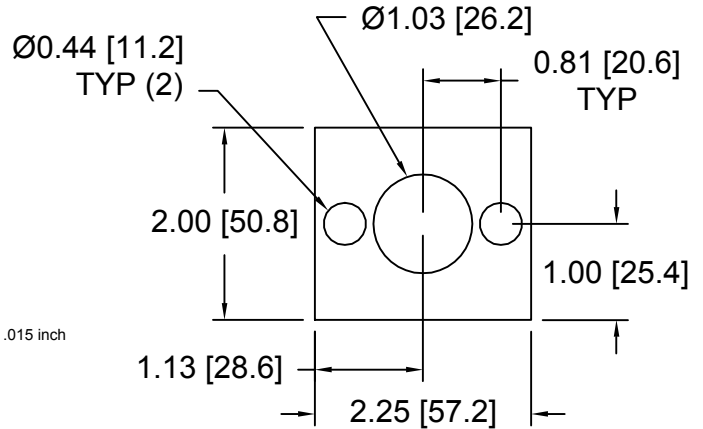
Slots and holes are centered unless otherwise noted

DSCH091 Series - Individual Shims

DSC Part No.	Description	Thickness	Other part numbers
DSCH091-E015	Inch thickness shim.....	.015 inch.....	CSS 89-3
DSCH091-E032	Inch thickness shim.....	.031 inch.....	CSS 89-1
DSCH091-E062	Inch thickness shim.....	.062 inch.....	CSS 89-2

DSCH091 Series - Shim Sets

DSC Part No.	Description	Thickness	Set includes
DSCH091-E155	Five piece inch shim set..... (This set also known as 42-530-2725)	.150 inch.....	(1) .062 inch, (2) .031 inch, (2) .015 inch

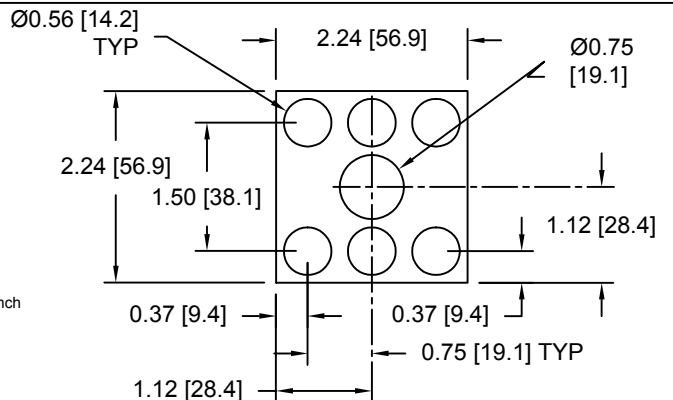


DSCH092 Series - Individual Shims

DSC Part No.	Description	Thickness	Other part numbers
DSCH092-E015	Inch thickness shim.....	.015 inch.....	CSS 99-3
DSCH092-E032	Inch thickness shim.....	.031 inch.....	CSS 99-1
DSCH092-E062	Inch thickness shim.....	.062 inch.....	CSS 99-2

DSCH092 Series - Shim Sets

DSC Part No.	Description	Thickness	Set includes
DSCH092-E155	Five piece inch shim set..... (This set also known as 42-530-2750)	.150 inch.....	(1) .062 inch, (2) .031 inch, (2) .015 inch

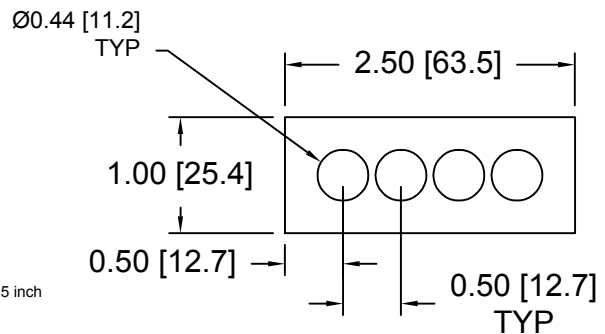


DSCH093 Series - Individual Shims

DSC Part No.	Description	Thickness	Other part numbers
DSCH093-E015	Inch thickness shim.....	.015 inch.....	CSS 410-3
DSCH093-E032	Inch thickness shim.....	.031 inch.....	CSS 410-1
DSCH093-E062	Inch thickness shim.....	.062 inch.....	CSS 410-2

DSCH093 Series - Shim Sets

DSC Part No.	Description	Thickness	Set includes
DSCH093-E155	Five piece inch shim set..... (This set also known as 42-530-2775)	.150 inch.....	(1) .062 inch, (2) .031 inch, (2) .015 inch

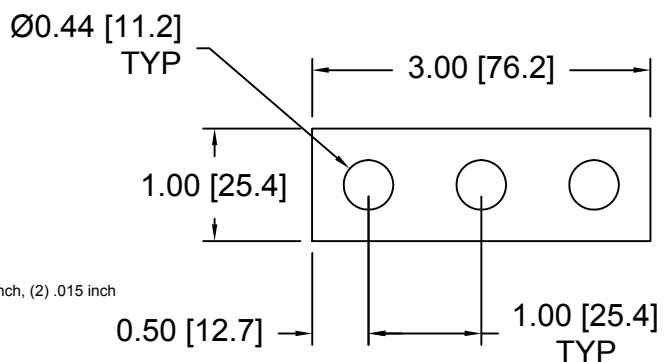


DSCH094 Series - Individual Shims

DSC Part No.	Description	Thickness	Other part numbers
DSCH094-E015	Inch thickness shim.....	.015 inch.....	CSS 412-3
DSCH094-E032	Inch thickness shim.....	.031 inch.....	CSS 412-1
DSCH094-E062	Inch thickness shim.....	.062 inch.....	CSS 412-2

DSCH094 Series - Shim Sets

DSC Part No.	Description	Thickness	Set includes
DSCH094-E155	Five piece inch shim set..... (This set also known as 42-530-2800)	.150 inch.....	(1) .062 inch, (2) .031 inch, (2) .015 inch



Douglas Stamping Company (248) 542-3940 FAX (248) 542-6342

<http://dougstampco.com> sales@dougstampco.com