

Sets are bulk shipped

**Order SHIMS by individual piece or set**

**Drawings are not to scale**

*Metric shims over 0.25mm thick are black oxidized*

*Slots and holes are centered unless otherwise noted*

**DSCH103 Series - Individual Shims**

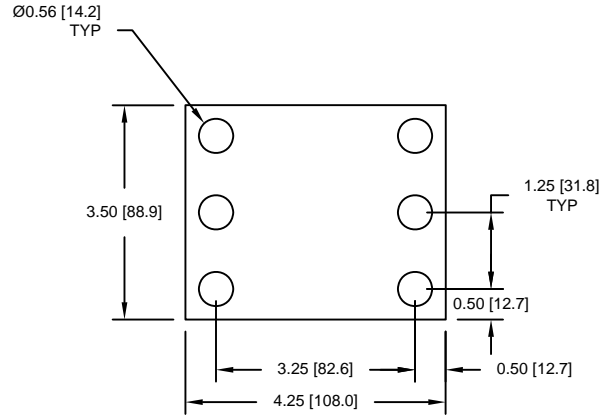
**DSC Part No. Description Thickness Other part numbers**

DSCH103-E015	Inch thickness shim	.015 inch	CSS 1417-3
DSCH103-E032	Inch thickness shim	.031 inch	CSS 1417-1
DSCH103-E062	Inch thickness shim	.062 inch	CSS 1417-2

**DSCH103 Series - Shim Sets**

**DSC Part No. Description Thickness Set includes**

DSCH103-E155	Five piece inch shim set	.150 inch	(1) .062 inch, (2) .031 inch, (2) .015 inch (This set also known as 42-530-3050)
--------------	--------------------------	-----------	-------------------------------------------------------------------------------------



**DSCH104 Series - Individual Shims**

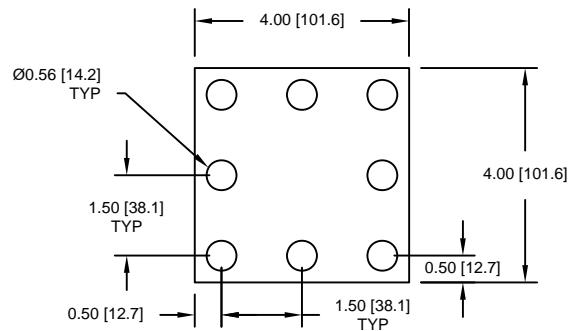
**DSC Part No. Description Thickness Other part numbers**

DSCH104-E015	Inch thickness shim	.015 inch	CSS 1616-3
DSCH104-E032	Inch thickness shim	.031 inch	CSS 1616-1
DSCH104-E062	Inch thickness shim	.062 inch	CSS 1616-2

**DSCH104 Series - Shim Sets**

**DSC Part No. Description Thickness Set includes**

DSCH104-E155	Five piece inch shim set	.150 inch	(1) .062 inch, (2) .031 inch, (2) .015 inch (This set also known as 42-530-3075)
--------------	--------------------------	-----------	-------------------------------------------------------------------------------------



**DSCH105 Series - Individual Shims**

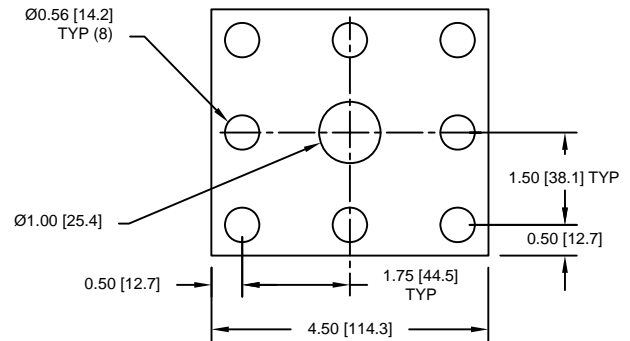
**DSC Part No. Description Thickness Other part numbers**

DSCH105-E015	Inch thickness shim	.015 inch	CSS 1816-3
DSCH105-E032	Inch thickness shim	.031 inch	CSS 1816-1
DSCH105-E062	Inch thickness shim	.062 inch	CSS 1816-2

**DSCH105 Series - Shim Sets**

**DSC Part No. Description Thickness Set includes**

DSCH105-E155	Five piece inch shim set	.150 inch	(1) .062 inch, (2) .031 inch, (2) .015 inch (This set also known as 42-530-4000)
--------------	--------------------------	-----------	-------------------------------------------------------------------------------------



**DSCH106 Series - Individual Shims**

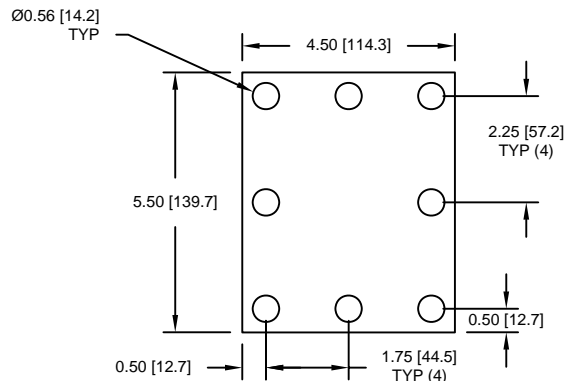
**DSC Part No. Description Thickness Other part numbers**

DSCH106-E015	Inch thickness shim	.015 inch	CSS 1822-3
DSCH106-E032	Inch thickness shim	.031 inch	CSS 1822-1
DSCH106-E062	Inch thickness shim	.062 inch	CSS 1822-2

**DSCH106 Series - Shim Sets**

**DSC Part No. Description Thickness Set includes**

DSCH106-E155	Five piece inch shim set	.150 inch	(1) .062 inch, (2) .031 inch, (2) .015 inch (This set also known as 42-530-4025)
--------------	--------------------------	-----------	-------------------------------------------------------------------------------------



Douglas Stamping Company (248) 542-3940 FAX (248) 542-6342

<http://dougstampco.com> [sales@dougstampco.com](mailto:sales@dougstampco.com)