

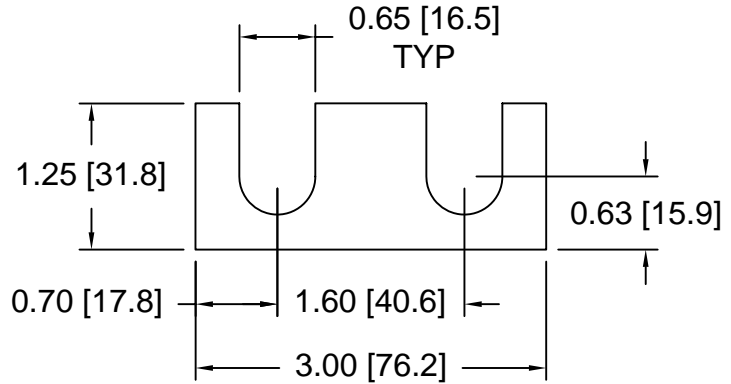
SPACERS

Drawings are not to scale

Metric spacers are black oxidized Slots and holes are centered unless otherwise noted
Most spacers are etched on the side with thickness

DSCH111 Series Shims

DSC Part No.	Thickness	Other part numbers
DSCH111-E005	.005 inch	FSD 14195-55
DSCH111-E010	.010 inch	FSD 14195-54
DSCH111-E015	.015 inch	FSD 14195-53
DSCH111-E030	.030 inch	FSD 14195-52
DSCH111-E060	.060 inch	FSD 14195-51
DSCH111-E125	.125 inch	FSD 14195-50

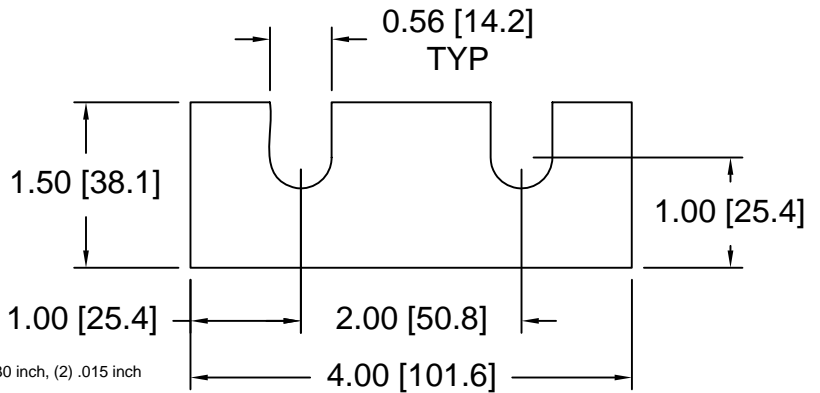


DSCH111 Series - Shim Sets

DSC Part No.	Description	Thickness	Set includes
DSCH111-E155	Five piece inch shim set	.150 inch	(1) .060 inch, (2) .030 inch, (2) .015 inch

DSCH112 Series Shims

DSC Part No.	Thickness	Other part numbers
DSCH112-E005	.005 inch	FSD 5590-55
DSCH112-E010	.010 inch	FSD 5590-54
DSCH112-E015	.015 inch	FSD 5590-53
DSCH112-E030	.030 inch	FSD 5590-52
DSCH112-E060	.060 inch	FSD 5590-51
DSCH112-E125	.125 inch	FSD 5590-50

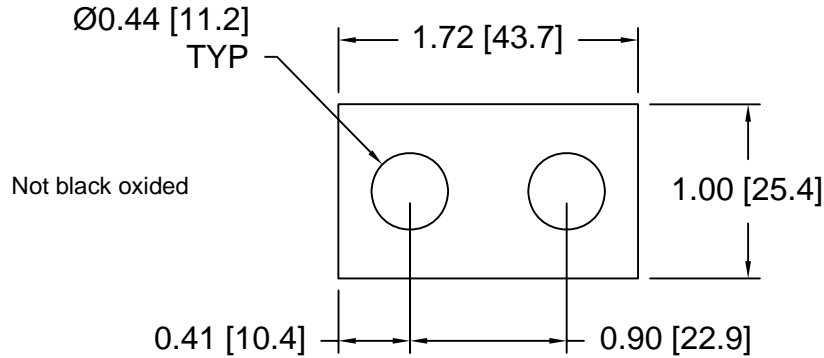


DSCH112 Series - Shim Sets

DSC Part No.	Description	Thickness	Set includes
DSCH112-E155	Five piece inch shim set	.150 inch	(1) .060 inch, (2) .030 inch, (2) .015 inch

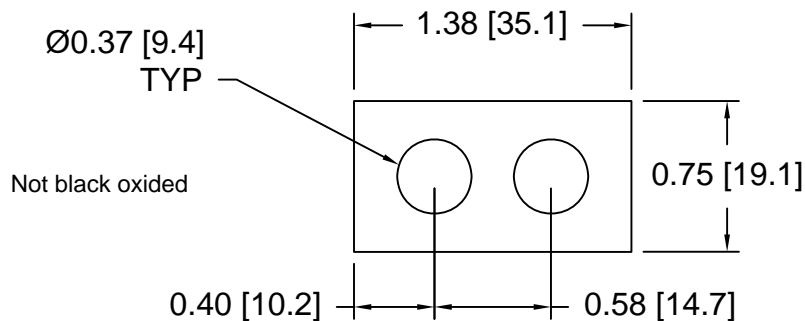
DSCP001 Series Spacers

DSC Part No.	Thickness	Other part numbers
DSCP001-M200	2.00mm	FSD 39279-64
DSCP001-M225	2.25mm	FSD 39279-65
DSCP001-M250	2.50mm	FSD 39279-66
DSCP001-M275	2.75mm	FSD 39279-67
DSCP001-M300	3.00mm	FSD 39279-51
DSCP001-M325	3.25mm	FSD 39279-52
DSCP001-M350	3.50mm	FSD 39279-53
DSCP001-M375	3.75mm	FSD 39279-54
DSCP001-M400	4.00mm	FSD 39279-55
DSCP001-M425	4.25mm	FSD 39279-56
DSCP001-M450	4.50mm	FSD 39279-57
DSCP001-M475	4.75mm	FSD 39279-58
DSCP001-M500	5.00mm	FSD 39279-59
DSCP001-M525	5.25mm	FSD 39279-60
DSCP001-M550	5.50mm	FSD 39279-61
DSCP001-M575	5.75mm	FSD 39279-62
DSCP001-M600	6.00mm	FSD 39279-63



DSCP002 Series Spacers

DSC Part No.	Thickness	Other part numbers
DSCP002-M200	2.00mm	FSD 39280-64
DSCP002-M225	2.25mm	FSD 39280-65
DSCP002-M250	2.50mm	FSD 39280-66
DSCP002-M275	2.75mm	FSD 39280-67
DSCP002-M300	3.00mm	FSD 39280-51
DSCP002-M325	3.25mm	FSD 39280-52
DSCP002-M350	3.50mm	FSD 39280-53
DSCP002-M375	3.75mm	FSD 39280-54
DSCP002-M400	4.00mm	FSD 39280-55
DSCP002-M425	4.25mm	FSD 39280-56
DSCP002-M450	4.50mm	FSD 39280-57
DSCP002-M475	4.75mm	FSD 39280-58
DSCP002-M500	5.00mm	FSD 39280-59
DSCP002-M525	5.25mm	FSD 39280-60
DSCP002-M550	5.50mm	FSD 39280-61
DSCP002-M575	5.75mm	FSD 39280-62
DSCP002-M600	6.00mm	FSD 39280-63



Douglas Stamping Company (248) 542-3940 FAX (248) 542-6342

<http://dougstampco.com> sales@dougstampco.com