

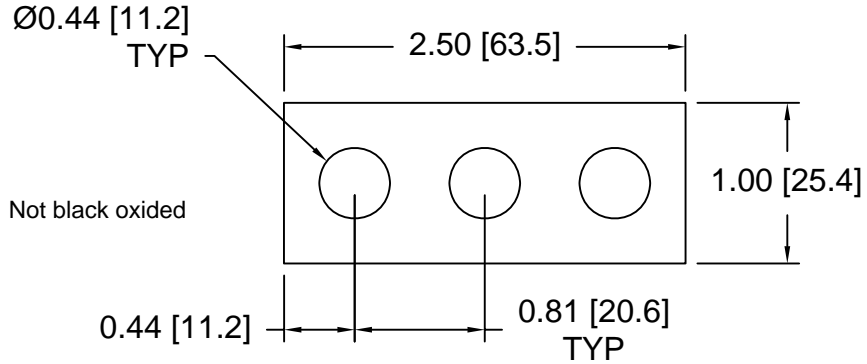
# SPACERS

Drawings are not to scale

Metric spacers are black oxidized      Slots and holes are centered unless otherwise noted  
Most spacers are etched on the side with thickness

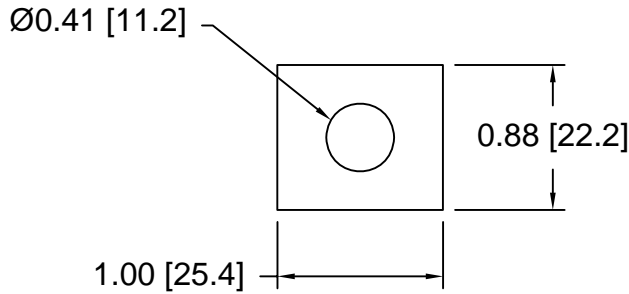
## DSCP003 Series Spacers

DSC Part No.	Thickness	Other part numbers
DSCP003-M200	2.00mm	FSD 39281-64
DSCP003-M225	2.25mm	FSD 39281-65
DSCP003-M250	2.50mm	FSD 39281-66
DSCP003-M275	2.75mm	FSD 39281-67
DSCP003-M300	3.00mm	FSD 39281-51
DSCP003-M325	3.25mm	FSD 39281-52
DSCP003-M350	3.50mm	FSD 39281-53
DSCP003-M375	3.75mm	FSD 39281-54
DSCP003-M400	4.00mm	FSD 39281-55
DSCP003-M425	4.25mm	FSD 39281-56
DSCP003-M450	4.50mm	FSD 39281-57
DSCP003-M475	4.75mm	FSD 39281-58
DSCP003-M500	5.00mm	FSD 39281-59
DSCP003-M525	5.25mm	FSD 39281-60
DSCP003-M550	5.50mm	FSD 39281-61
DSCP003-M575	5.75mm	FSD 39281-62
DSCP003-M600	6.00mm	FSD 39281-63



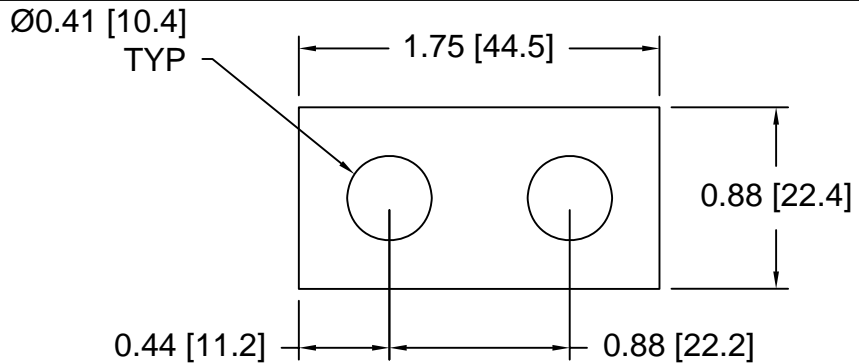
## DSCP004 Series Spacers

DSC Part No.	Thickness	Other part numbers
DSCP004-M200	2.00mm	FSD 40221-51
DSCP004-M225	2.25mm	FSD 40221-52
DSCP004-M250	2.50mm	FSD 40221-53
DSCP004-M275	2.75mm	FSD 40221-54
DSCP004-M300	3.00mm	FSD 40221-55
DSCP004-M325	3.25mm	FSD 40221-56
DSCP004-M350	3.50mm	FSD 40221-57
DSCP004-M375	3.75mm	FSD 40221-58
DSCP004-M400	4.00mm	FSD 40221-59
DSCP004-M425	4.25mm	FSD 40221-60
DSCP004-M450	4.50mm	FSD 40221-61
DSCP004-M475	4.75mm	FSD 40221-62
DSCP004-M500	5.00mm	FSD 40221-63
DSCP004-M525	5.25mm	FSD 40221-64
DSCP004-M550	5.50mm	FSD 40221-65
DSCP004-M575	5.75mm	FSD 40221-66
DSCP004-M600	6.00mm	FSD 40221-67



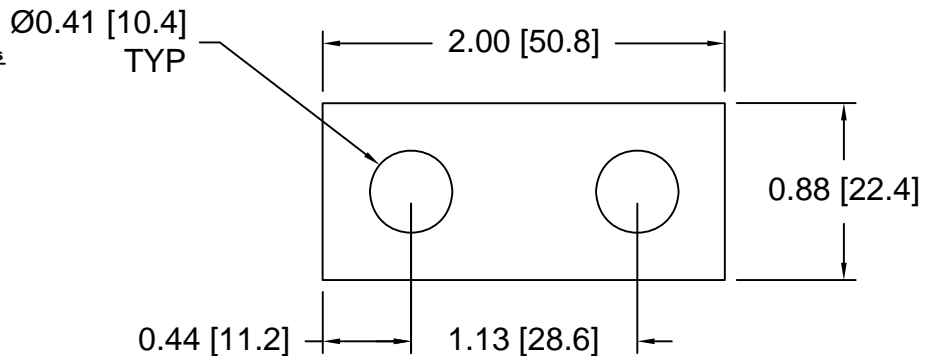
## DSCP005 Series Spacers

DSC Part No.	Thickness	Other part numbers
DSCP005-M200	2.00mm	FSD 40222-51
DSCP005-M225	2.25mm	FSD 40222-52
DSCP005-M250	2.50mm	FSD 40222-53
DSCP005-M275	2.75mm	FSD 40222-54
DSCP005-M300	3.00mm	FSD 40222-55
DSCP005-M325	3.25mm	FSD 40222-56
DSCP005-M350	3.50mm	FSD 40222-57
DSCP005-M375	3.75mm	FSD 40222-58
DSCP005-M400	4.00mm	FSD 40222-59
DSCP005-M425	4.25mm	FSD 40222-60
DSCP005-M450	4.50mm	FSD 40222-61
DSCP005-M475	4.75mm	FSD 40222-62
DSCP005-M500	5.00mm	FSD 40222-63
DSCP005-M525	5.25mm	FSD 40222-64
DSCP005-M550	5.50mm	FSD 40222-65
DSCP005-M575	5.75mm	FSD 40222-66
DSCP005-M600	6.00mm	FSD 40222-67



## DSCP006 Series Spacers

DSC Part No.	Thickness	Other part numbers
DSCP006-M200	2.00mm	FSD 40223-51
DSCP006-M225	2.25mm	FSD 40223-52
DSCP006-M250	2.50mm	FSD 40223-53
DSCP006-M275	2.75mm	FSD 40223-54
DSCP006-M300	3.00mm	FSD 40223-55
DSCP006-M325	3.25mm	FSD 40223-56
DSCP006-M350	3.50mm	FSD 40223-57
DSCP006-M375	3.75mm	FSD 40223-58
DSCP006-M400	4.00mm	FSD 40223-59
DSCP006-M425	4.25mm	FSD 40223-60
DSCP006-M450	4.50mm	FSD 40223-61
DSCP006-M475	4.75mm	FSD 40223-62
DSCP006-M500	5.00mm	FSD 40223-63
DSCP006-M525	5.25mm	FSD 40223-64
DSCP006-M550	5.50mm	FSD 40223-65
DSCP006-M575	5.75mm	FSD 40223-66
DSCP006-M600	6.00mm	FSD 40223-67



Douglas Stamping Company (248) 542-3940 FAX (248) 542-6342

<http://dougstampco.com>      [sales@dougstampco.com](mailto:sales@dougstampco.com)