

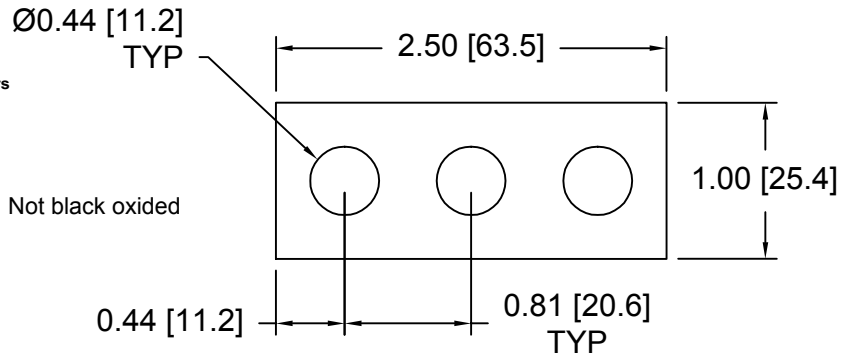
SPACERS

Drawings are not to scale

Metric spacers are black oxidized Slots and holes are centered unless otherwise noted
Most spacers are etched on the side with thickness

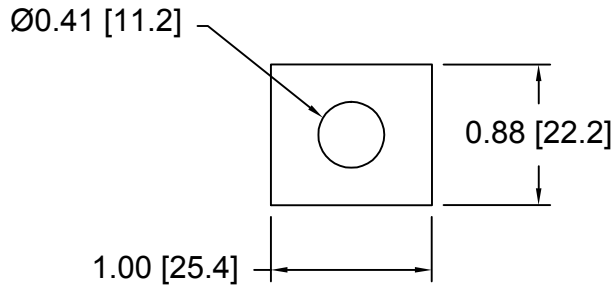
DSCP003 Series Spacers

DSC Part No.	Thickness	Other part numbers
DSCP003-M200	2.00mm	FSD 39281-64
DSCP003-M225	2.25mm	FSD 39281-65
DSCP003-M250	2.50mm	FSD 39281-66
DSCP003-M275	2.75mm	FSD 39281-67
DSCP003-M300	3.00mm	FSD 39281-61
DSCP003-M325	3.25mm	FSD 39281-52
DSCP003-M350	3.50mm	FSD 39281-53
DSCP003-M375	3.75mm	FSD 39281-54
DSCP003-M400	4.00mm	FSD 39281-55
DSCP003-M425	4.25mm	FSD 39281-56
DSCP003-M450	4.50mm	FSD 39281-57
DSCP003-M475	4.75mm	FSD 39281-58
DSCP003-M500	5.00mm	FSD 39281-59
DSCP003-M525	5.25mm	FSD 39281-60
DSCP003-M550	5.50mm	FSD 39281-61
DSCP003-M575	5.75mm	FSD 39281-62
DSCP003-M600	6.00mm	FSD 39281-63



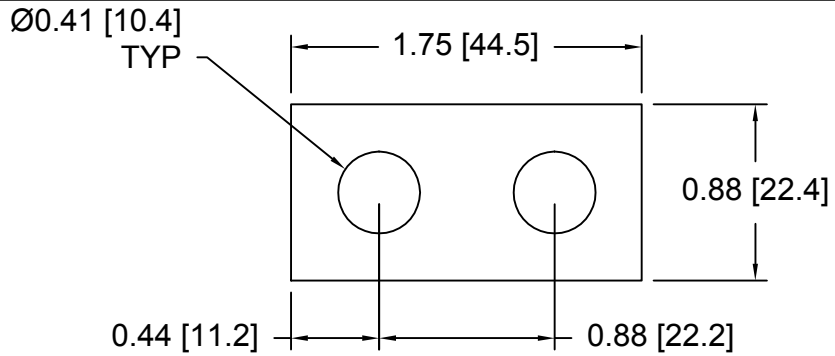
DSCP004 Series Spacers

DSC Part No.	Thickness	Other part numbers
DSCP004-M200	2.00mm	FSD 40221-51
DSCP004-M225	2.25mm	FSD 40221-52
DSCP004-M250	2.50mm	FSD 40221-53
DSCP004-M275	2.75mm	FSD 40221-54
DSCP004-M300	3.00mm	FSD 40221-55
DSCP004-M325	3.25mm	FSD 40221-56
DSCP004-M350	3.50mm	FSD 40221-57
DSCP004-M375	3.75mm	FSD 40221-58
DSCP004-M400	4.00mm	FSD 40221-59
DSCP004-M425	4.25mm	FSD 40221-60
DSCP004-M450	4.50mm	FSD 40221-61
DSCP004-M475	4.75mm	FSD 40221-62
DSCP004-M500	5.00mm	FSD 40221-63
DSCP004-M525	5.25mm	FSD 40221-64
DSCP004-M550	5.50mm	FSD 40221-65
DSCP004-M575	5.75mm	FSD 40221-66
DSCP004-M600	6.00mm	FSD 40221-67



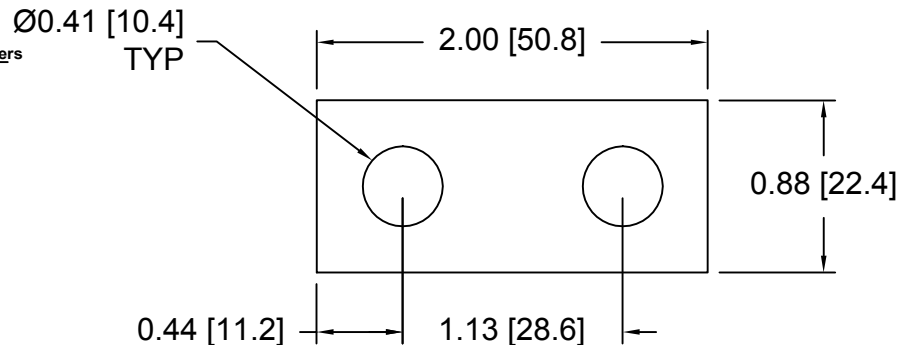
DSCP005 Series Spacers

DSC Part No.	Thickness	Other part numbers
DSCP005-M200	2.00mm	FSD 40222-51
DSCP005-M225	2.25mm	FSD 40222-52
DSCP005-M250	2.50mm	FSD 40222-53
DSCP005-M275	2.75mm	FSD 40222-54
DSCP005-M300	3.00mm	FSD 40222-55
DSCP005-M325	3.25mm	FSD 40222-56
DSCP005-M350	3.50mm	FSD 40222-57
DSCP005-M375	3.75mm	FSD 40222-58
DSCP005-M400	4.00mm	FSD 40222-59
DSCP005-M425	4.25mm	FSD 40222-60
DSCP005-M450	4.50mm	FSD 40222-61
DSCP005-M475	4.75mm	FSD 40222-62
DSCP005-M500	5.00mm	FSD 40222-63
DSCP005-M525	5.25mm	FSD 40222-64
DSCP005-M550	5.50mm	FSD 40222-65
DSCP005-M575	5.75mm	FSD 40222-66
DSCP005-M600	6.00mm	FSD 40222-67



DSCP006 Series Spacers

DSC Part No.	Thickness	Other part numbers
DSCP006-M200	2.00mm	FSD 40223-51
DSCP006-M225	2.25mm	FSD 40223-52
DSCP006-M250	2.50mm	FSD 40223-53
DSCP006-M275	2.75mm	FSD 40223-54
DSCP006-M300	3.00mm	FSD 40223-55
DSCP006-M325	3.25mm	FSD 40223-56
DSCP006-M350	3.50mm	FSD 40223-57
DSCP006-M375	3.75mm	FSD 40223-58
DSCP006-M400	4.00mm	FSD 40223-59
DSCP006-M425	4.25mm	FSD 40223-60
DSCP006-M450	4.50mm	FSD 40223-61
DSCP006-M475	4.75mm	FSD 40223-62
DSCP006-M500	5.00mm	FSD 40223-63
DSCP006-M525	5.25mm	FSD 40223-64
DSCP006-M550	5.50mm	FSD 40223-65
DSCP006-M575	5.75mm	FSD 40223-66
DSCP006-M600	6.00mm	FSD 40223-67



Douglas Stamping Company (248) 542-3940 FAX (248) 542-6342

<http://dougstampco.com> sales@dougstampco.com