

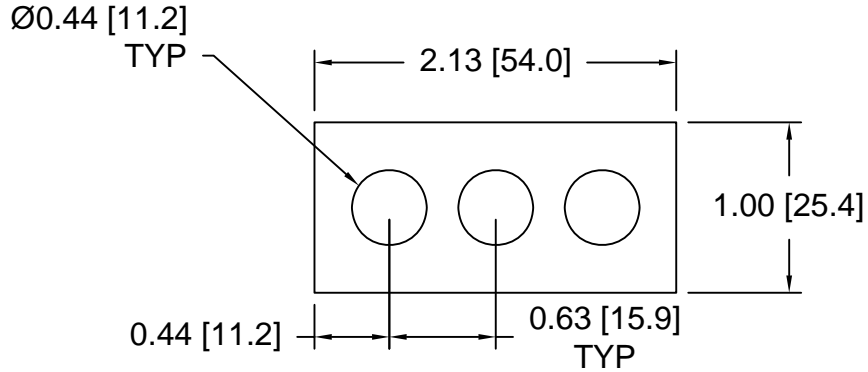
SPACERS

Drawings are not to scale

Metric spacers are black oxidized Slots and holes are centered unless otherwise noted
Most spacers are etched on the side with thickness

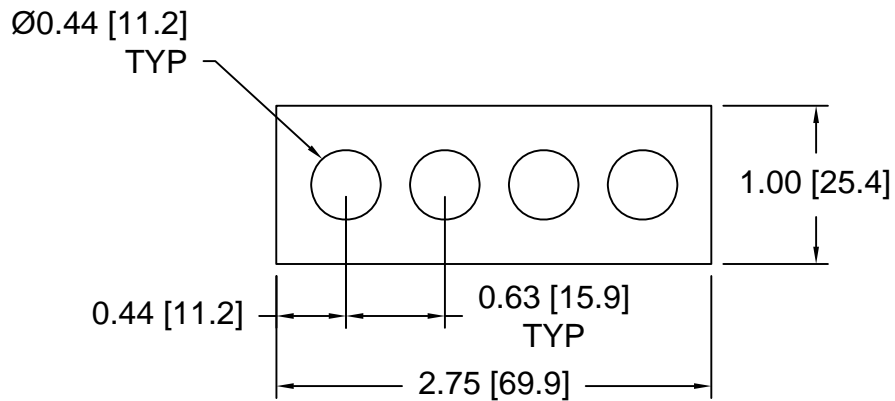
DSCP023 Series Spacers

DSC Part No.	Thickness	Other part numbers
DSCP023-M200	2.00mm	FSD 40875-01
DSCP023-M225	2.25mm	FSD 40875-02
DSCP023-M250	2.50mm	FSD 40875-03
DSCP023-M275	2.75mm	FSD 40875-04
DSCP023-M300	3.00mm	FSD 40875-05
DSCP023-M325	3.25mm	FSD 40875-06
DSCP023-M350	3.50mm	FSD 40875-07
DSCP023-M375	3.75mm	FSD 40875-08
DSCP023-M400	4.00mm	FSD 40875-09
DSCP023-M425	4.25mm	FSD 40875-10
DSCP023-M450	4.50mm	FSD 40875-11
DSCP023-M475	4.75mm	FSD 40875-12
DSCP023-M500	5.00mm	FSD 40875-13
DSCP023-M525	5.25mm	FSD 40875-14
DSCP023-M550	5.50mm	FSD 40875-15
DSCP023-M575	5.75mm	FSD 40875-16
DSCP023-M600	6.00mm	FSD 40875-17



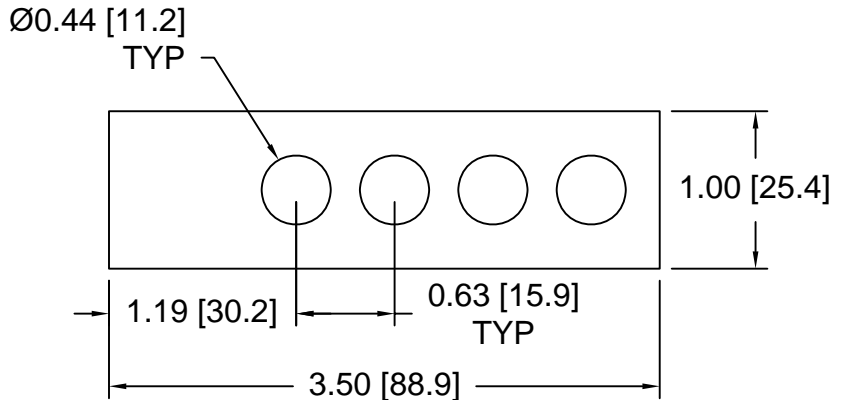
DSCP024 Series Spacers

DSC Part No.	Thickness	Other part numbers
DSCP024-M200	2.00mm	FSD 40876-01
DSCP024-M225	2.25mm	FSD 40876-02
DSCP024-M250	2.50mm	FSD 40876-03
DSCP024-M275	2.75mm	FSD 40876-04
DSCP024-M300	3.00mm	FSD 40876-05
DSCP024-M325	3.25mm	FSD 40876-06
DSCP024-M350	3.50mm	FSD 40876-07
DSCP024-M375	3.75mm	FSD 40876-08
DSCP024-M400	4.00mm	FSD 40876-09
DSCP024-M425	4.25mm	FSD 40876-10
DSCP024-M450	4.50mm	FSD 40876-11
DSCP024-M475	4.75mm	FSD 40876-12
DSCP024-M500	5.00mm	FSD 40876-13
DSCP024-M525	5.25mm	FSD 40876-14
DSCP024-M550	5.50mm	FSD 40876-15
DSCP024-M575	5.75mm	FSD 40876-16
DSCP024-M600	6.00mm	FSD 40876-17



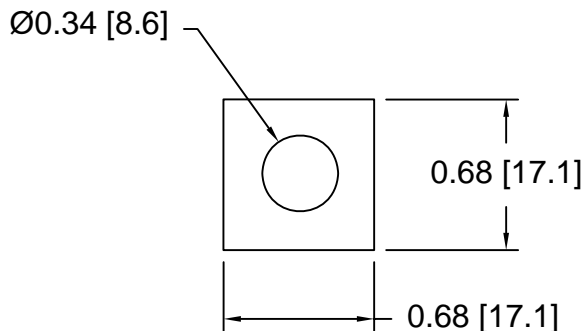
DSCP025 Series Spacers

DSC Part No.	Thickness	Other part numbers
DSCP025-M200	2.00mm	FSD 40877-01
DSCP025-M225	2.25mm	FSD 40877-02
DSCP025-M250	2.50mm	FSD 40877-03
DSCP025-M275	2.75mm	FSD 40877-04
DSCP025-M300	3.00mm	FSD 40877-05
DSCP025-M325	3.25mm	FSD 40877-06
DSCP025-M350	3.50mm	FSD 40877-07
DSCP025-M375	3.75mm	FSD 40877-08
DSCP025-M400	4.00mm	FSD 40877-09
DSCP025-M425	4.25mm	FSD 40877-10
DSCP025-M450	4.50mm	FSD 40877-11
DSCP025-M475	4.75mm	FSD 40877-12
DSCP025-M500	5.00mm	FSD 40877-13
DSCP025-M525	5.25mm	FSD 40877-14
DSCP025-M550	5.50mm	FSD 40877-15
DSCP025-M575	5.75mm	FSD 40877-16
DSCP025-M600	6.00mm	FSD 40877-17



DSCP026 Series Spacers

DSC Part No.	Thickness	Other part numbers
DSCP026-M025	0.25mm	FSD 41194-51
DSCP026-M050	0.50mm	FSD 41194-52
DSCP026-M100	1.00mm	FSD 41194-53
DSCP026-M200	2.00mm	FSD 41194-54
DSCP026-M300	3.00mm	FSD 41194-55
DSCP026-M400	4.00mm	FSD 41194-56
DSCP026-M500	5.00mm	FSD 41194-57



Douglas Stamping Company (248) 542-3940 FAX (248) 542-6342

<http://dougstampco.com> sales@dougstampco.com