

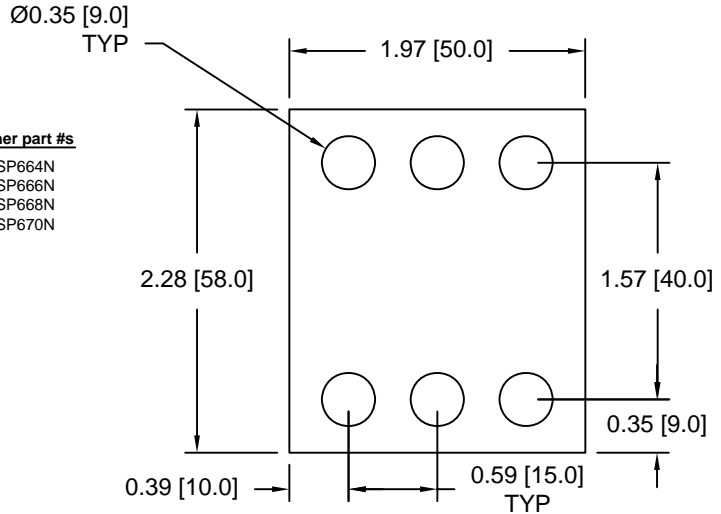
SPACERS

Drawings are not to scale

Metric spacers are black oxidized Slots and holes are centered unless otherwise noted
Most spacers are etched on the side with thickness

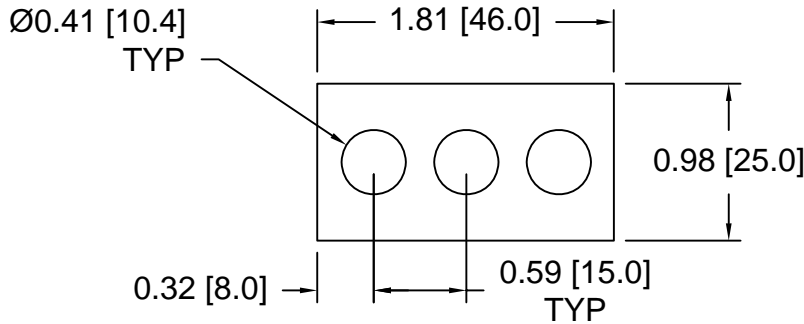
DSCP038 Series Spacers

DSC Part No.	Thickness	Other part #s	DSC Part No.	Thickness	Other part #s
DSCP038-M300	3.00mm	ASP630N	DSCP038-M640	6.40mm	ASP664N
DSCP038-M320	3.20mm	ASP632N	DSCP038-M660	6.60mm	ASP666N
DSCP038-M340	3.40mm	ASP634N	DSCP038-M680	6.80mm	ASP668N
DSCP038-M360	3.60mm	ASP636N	DSCP038-M700	7.00mm	ASP670N
DSCP038-M380	3.80mm	ASP638N			
DSCP038-M400	4.00mm	ASP640N			
DSCP038-M420	4.20mm	ASP642N			
DSCP038-M440	4.40mm	ASP644N			
DSCP038-M460	4.60mm	ASP646N			
DSCP038-M480	4.80mm	ASP648N			
DSCP038-M500	5.00mm	ASP650N			
DSCP038-M520	5.20mm	ASP652N			
DSCP038-M540	5.40mm	ASP654N			
DSCP038-M560	5.60mm	ASP656N			
DSCP038-M580	5.80mm	ASP658N			
DSCP038-M600	6.00mm	ASP660N			
DSCP038-M620	6.20mm	ASP662N			



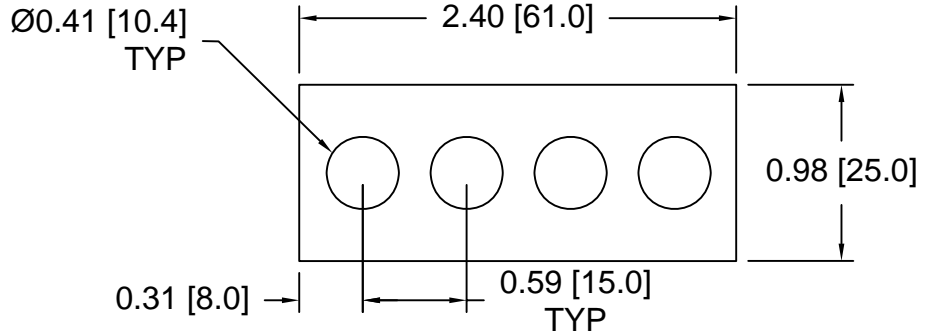
DSCP039 Series Spacers

DSC Part No.	Thickness	Other part numbers
DSCP039-M400	4.00mm	56ZF28047-01
DSCP039-M425	4.25mm	56ZF28047-02
DSCP039-M450	4.50mm	56ZF28047-03
DSCP039-M475	4.75mm	56ZF28047-04
DSCP039-M500	5.00mm	56ZF28047-05
DSCP039-M525	5.25mm	56ZF28047-06
DSCP039-M550	5.50mm	56ZF28047-07
DSCP039-M575	5.75mm	56ZF28047-08
DSCP039-M600	6.00mm	56ZF28047-09
DSCP039-M625	6.25mm	56ZF28047-10
DSCP039-M650	6.50mm	56ZF28047-11
DSCP039-M675	6.75mm	56ZF28047-12
DSCP039-M700	7.00mm	56ZF28047-13
DSCP039-M725	7.25mm	56ZF28047-14
DSCP039-M750	7.50mm	56ZF28047-15
DSCP039-M775	7.75mm	56ZF28047-16
DSCP039-M800	8.00mm	56ZF28047-17



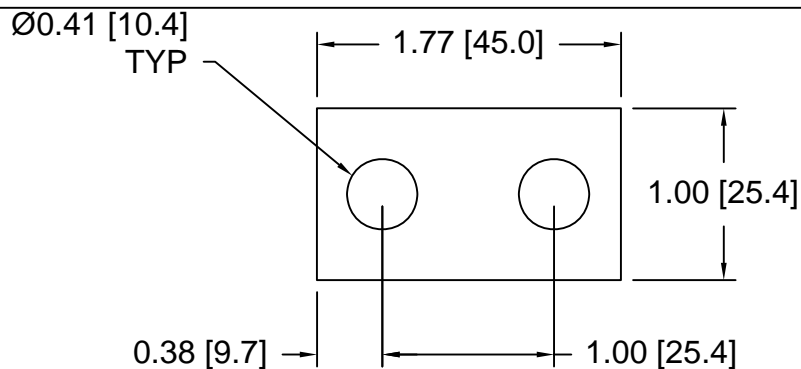
DSCP040 Series Spacers

DSC Part No.	Thickness	Other part numbers
DSCP040-M400	4.00mm	56ZF28048-01
DSCP040-M425	4.25mm	56ZF28048-02
DSCP040-M450	4.50mm	56ZF28048-03
DSCP040-M475	4.75mm	56ZF28048-04
DSCP040-M500	5.00mm	56ZF28048-05
DSCP040-M525	5.25mm	56ZF28048-06
DSCP040-M550	5.50mm	56ZF28048-07
DSCP040-M575	5.75mm	56ZF28048-08
DSCP040-M600	6.00mm	56ZF28048-09
DSCP040-M625	6.25mm	56ZF28048-10
DSCP040-M650	6.50mm	56ZF28048-11
DSCP040-M675	6.75mm	56ZF28048-12
DSCP040-M700	7.00mm	56ZF28048-13
DSCP040-M725	7.25mm	56ZF28048-14
DSCP040-M750	7.50mm	56ZF28048-15
DSCP040-M775	7.75mm	56ZF28048-16
DSCP040-M800	8.00mm	56ZF28048-17



DSCP041 Series Spacers

DSC Part No.	Thickness	Other part numbers
DSCP041-M400	4.00mm	56ZF28049-01
DSCP041-M425	4.25mm	56ZF28049-02
DSCP041-M450	4.50mm	56ZF28049-03
DSCP041-M475	4.75mm	56ZF28049-04
DSCP041-M500	5.00mm	56ZF28049-05
DSCP041-M525	5.25mm	56ZF28049-06
DSCP041-M550	5.50mm	56ZF28049-07
DSCP041-M575	5.75mm	56ZF28049-08
DSCP041-M600	6.00mm	56ZF28049-09
DSCP041-M625	6.25mm	56ZF28049-10
DSCP041-M650	6.50mm	56ZF28049-11
DSCP041-M675	6.75mm	56ZF28049-12
DSCP041-M700	7.00mm	56ZF28049-13
DSCP041-M725	7.25mm	56ZF28049-14
DSCP041-M750	7.50mm	56ZF28049-15
DSCP041-M775	7.75mm	56ZF28049-16
DSCP041-M800	8.00mm	56ZF28049-17



Douglas Stamping Company (248) 542-3940 FAX (248) 542-6342

<http://dougstampco.com> sales@dougstampco.com