

SPACERS

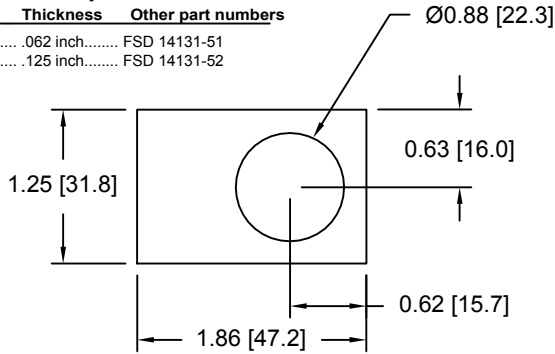
Drawings are not to scale

Metric spacers are black oxidized

Slots and holes are centered unless otherwise noted

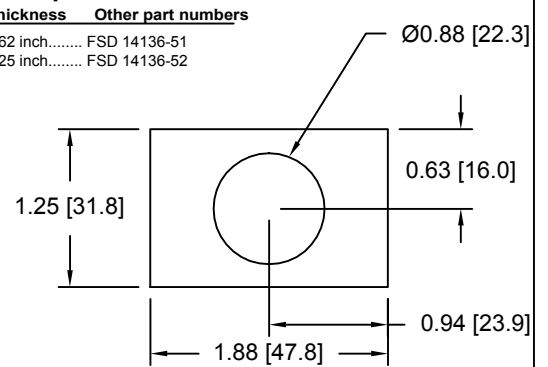
DSCP058 Series Spacers

DSC Part No.	Thickness	Other part numbers
DSCP058-E062	.062 inch	FSD 14131-51
DSCP058-E125	.125 inch	FSD 14131-52



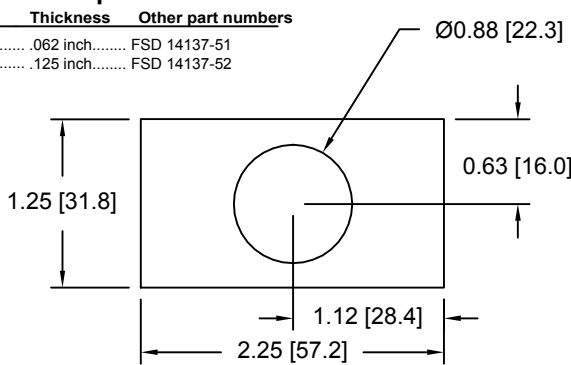
DSCP059 Series Spacers

DSC Part No.	Thickness	Other part numbers
DSCP059-E062	.062 inch	FSD 14136-51
DSCP059-E125	.125 inch	FSD 14136-52



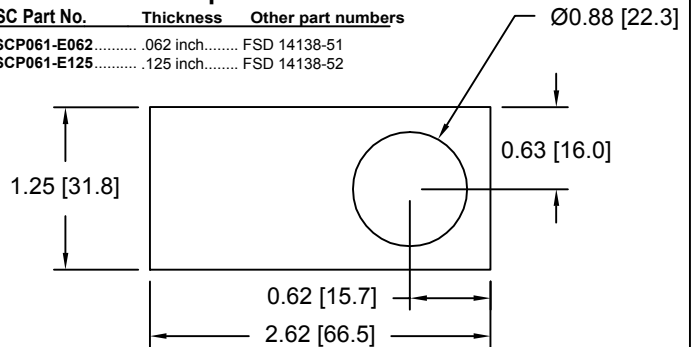
DSCP060 Series Spacers

DSC Part No.	Thickness	Other part numbers
DSCP060-E062	.062 inch	FSD 14137-51
DSCP060-E125	.125 inch	FSD 14137-52



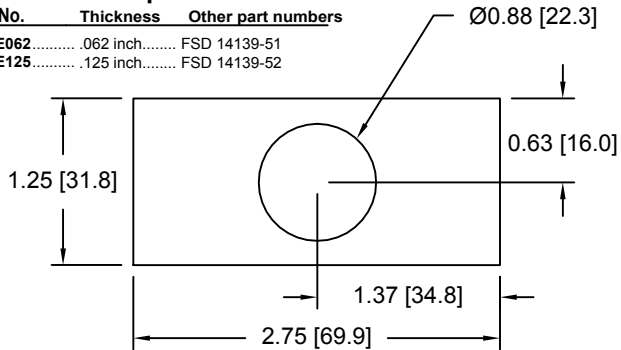
DSCP061 Series Spacers

DSC Part No.	Thickness	Other part numbers
DSCP061-E062	.062 inch	FSD 14138-51
DSCP061-E125	.125 inch	FSD 14138-52



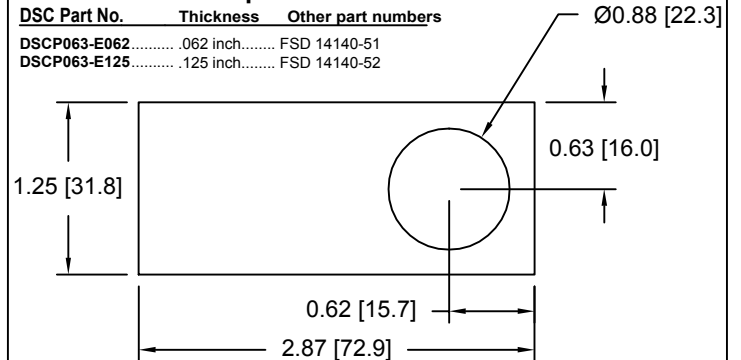
DSCP062 Series Spacers

DSC Part No.	Thickness	Other part numbers
DSCP062-E062	.062 inch	FSD 14139-51
DSCP062-E125	.125 inch	FSD 14139-52



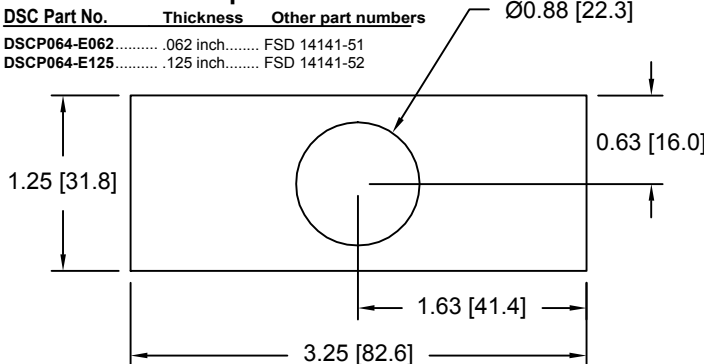
DSCP063 Series Spacers

DSC Part No.	Thickness	Other part numbers
DSCP063-E062	.062 inch	FSD 14140-51
DSCP063-E125	.125 inch	FSD 14140-52



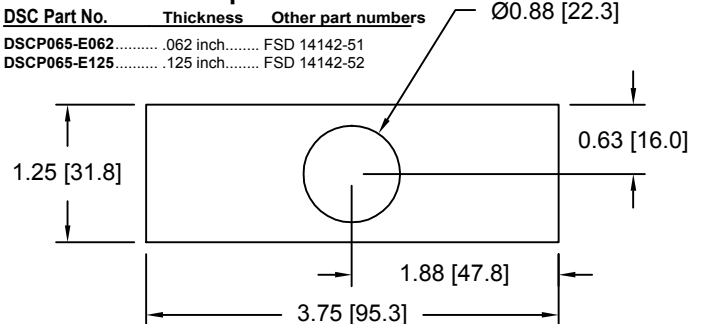
DSCP064 Series Spacers

DSC Part No.	Thickness	Other part numbers
DSCP064-E062	.062 inch	FSD 14141-51
DSCP064-E125	.125 inch	FSD 14141-52



DSCP065 Series Spacers

DSC Part No.	Thickness	Other part numbers
DSCP065-E062	.062 inch	FSD 14142-51
DSCP065-E125	.125 inch	FSD 14142-52



Douglas Stamping Company (248) 542-3940 FAX (248) 542-6342

<http://dougstampco.com> sales@dougstampco.com