

SPACERS

Drawings are not to scale

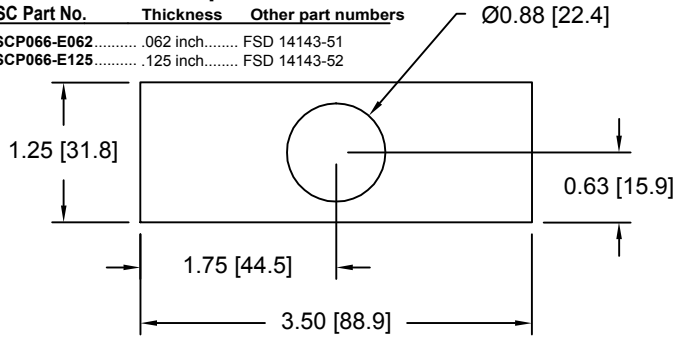
Metric spacers are black oxidized

Slots and holes are centered unless otherwise noted

DSCP066 Series Spacers

DSC Part No. Thickness Other part numbers

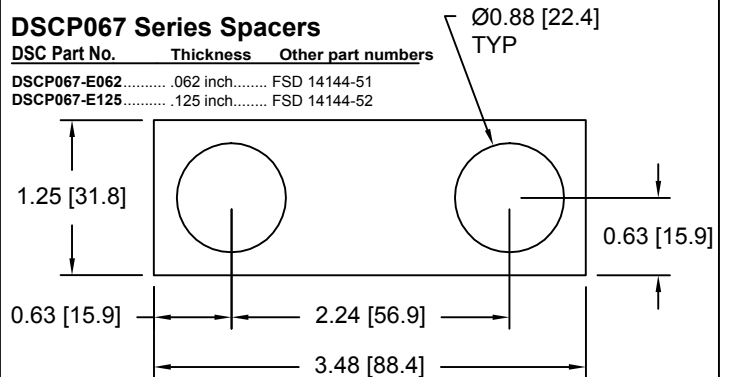
DSCP066-E062..... .062 inch..... FSD 14143-51
 DSCP066-E125..... .125 inch..... FSD 14143-52



DSCP067 Series Spacers

DSC Part No. Thickness Other part numbers

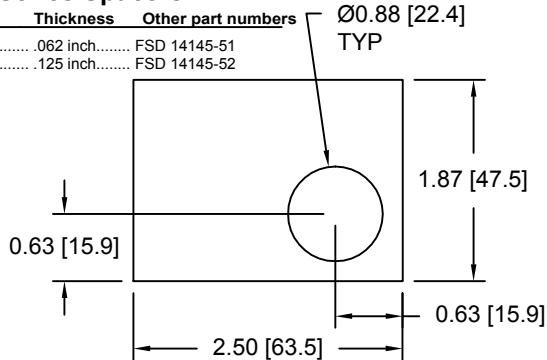
DSCP067-E062..... .062 inch..... FSD 14144-51
 DSCP067-E125..... .125 inch..... FSD 14144-52



DSCP068 Series Spacers

DSC Part No. Thickness Other part numbers

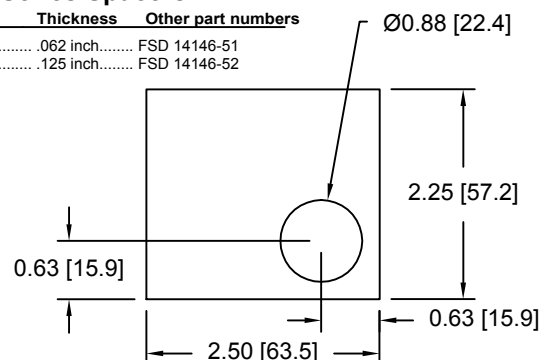
DSCP068-E062..... .062 inch..... FSD 14145-51
 DSCP068-E125..... .125 inch..... FSD 14145-52



DSCP069 Series Spacers

DSC Part No. Thickness Other part numbers

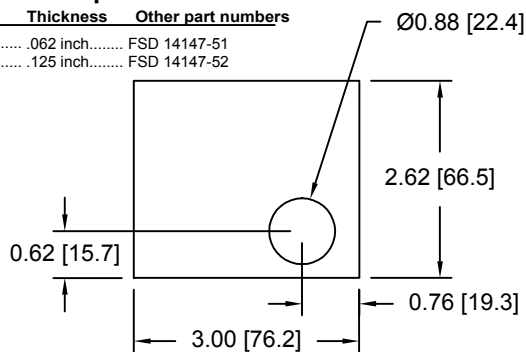
DSCP069-E062..... .062 inch..... FSD 14146-51
 DSCP069-E125..... .125 inch..... FSD 14146-52



DSCP070 Series Spacers

DSC Part No. Thickness Other part numbers

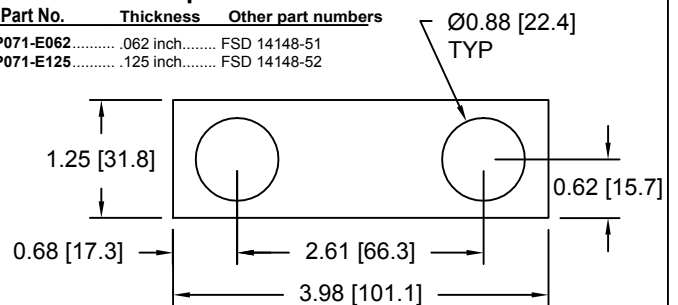
DSCP070-E062..... .062 inch..... FSD 14147-51
 DSCP070-E125..... .125 inch..... FSD 14147-52



DSCP071 Series Spacers

DSC Part No. Thickness Other part numbers

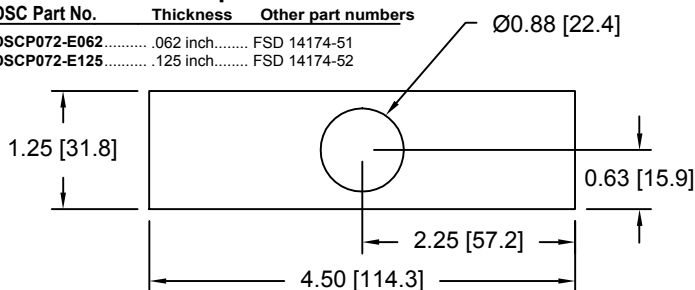
DSCP071-E062..... .062 inch..... FSD 14148-51
 DSCP071-E125..... .125 inch..... FSD 14148-52



DSCP072 Series Spacers

DSC Part No. Thickness Other part numbers

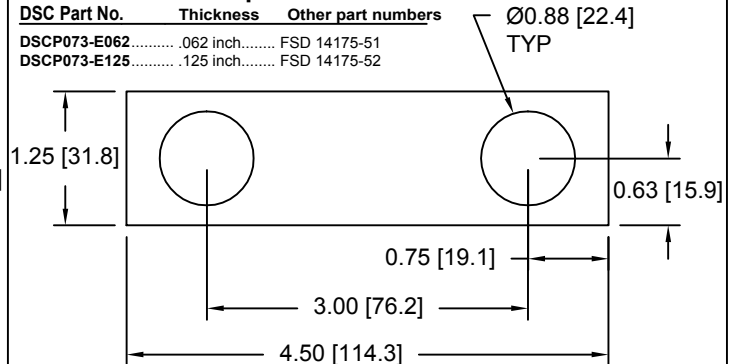
DSCP072-E062..... .062 inch..... FSD 14174-51
 DSCP072-E125..... .125 inch..... FSD 14174-52



DSCP073 Series Spacers

DSC Part No. Thickness Other part numbers

DSCP073-E062..... .062 inch..... FSD 14175-51
 DSCP073-E125..... .125 inch..... FSD 14175-52



Douglas Stamping Company (248) 542-3940 FAX (248) 542-6342

<http://dougstampco.com> sales@dougstampco.com