

# SPACERS

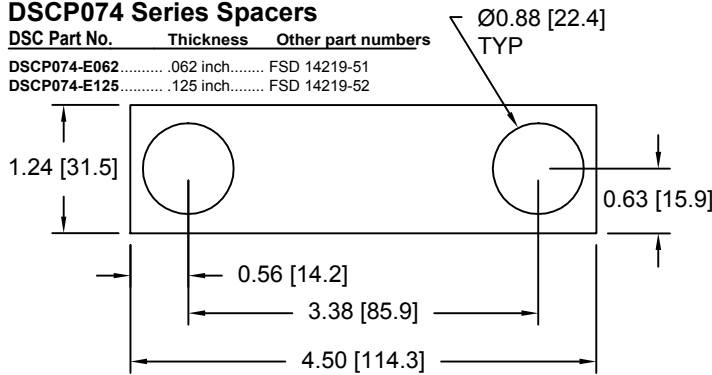
Drawings are not to scale

Metric spacers are black oxidized

Slots and holes are centered unless otherwise noted

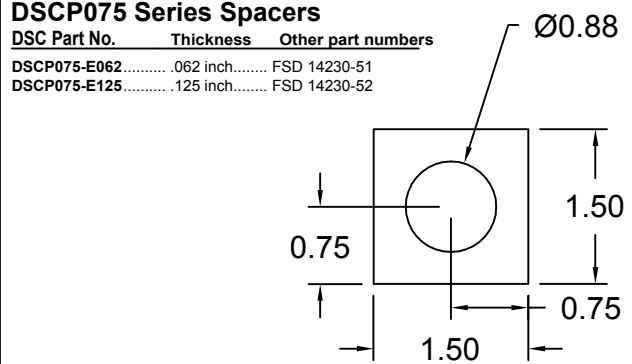
## DSCP074 Series Spacers

DSC Part No.	Thickness	Other part numbers
DSCP074-E062	.062 inch	FSD 14219-51
DSCP074-E125	.125 inch	FSD 14219-52



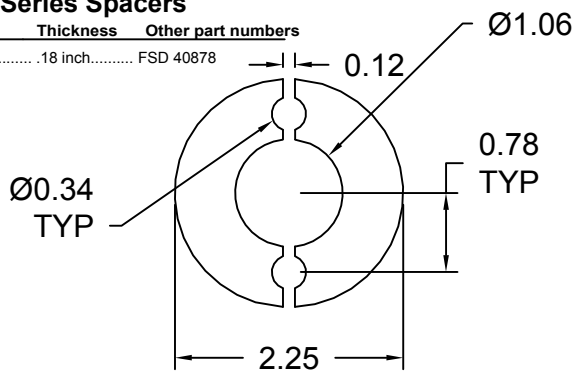
## DSCP075 Series Spacers

DSC Part No.	Thickness	Other part numbers
DSCP075-E062	.062 inch	FSD 14230-51
DSCP075-E125	.125 inch	FSD 14230-52



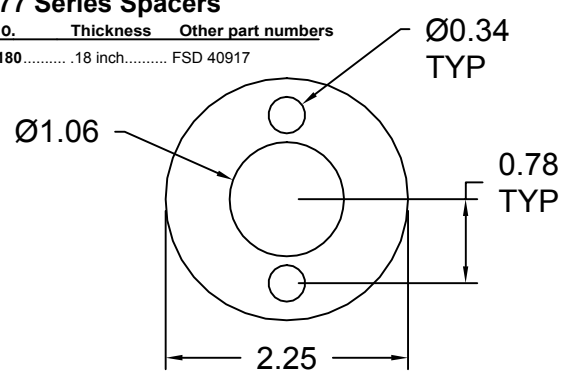
## DSCP076 Series Spacers

DSC Part No.	Thickness	Other part numbers
DSCP076-E180	.18 inch	FSD 40878



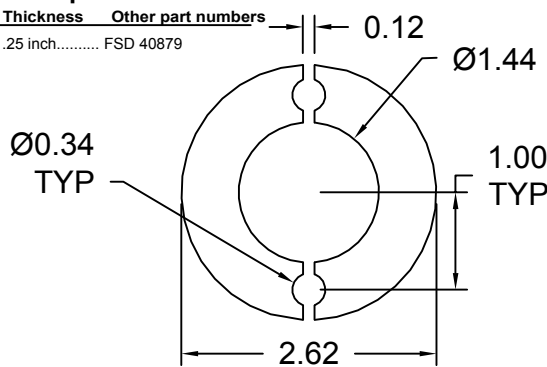
## DSCP077 Series Spacers

DSC Part No.	Thickness	Other part numbers
DSCP077-E180	.18 inch	FSD 40917



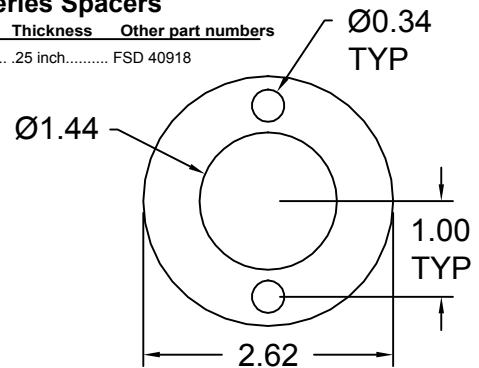
## DSCP078 Series Spacers

DSC Part No.	Thickness	Other part numbers
DSCP078-E250	.25 inch	FSD 40879



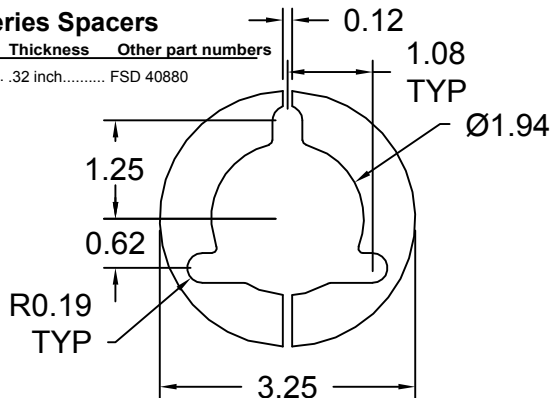
## DSCP079 Series Spacers

DSC Part No.	Thickness	Other part numbers
DSCP079-E250	.25 inch	FSD 40918



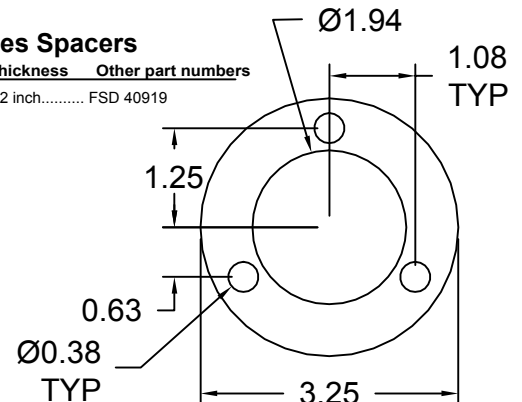
## DSCP080 Series Spacers

DSC Part No.	Thickness	Other part numbers
DSCP080-E320	.32 inch	FSD 40880



## DSCP081 Series Spacers

DSC Part No.	Thickness	Other part numbers
DSCP081-E320	.32 inch	FSD 40919



Douglas Stamping Company (248) 542-3940 FAX (248) 542-6342

<http://dougstampco.com> [sales@dougstampco.com](mailto:sales@dougstampco.com)