

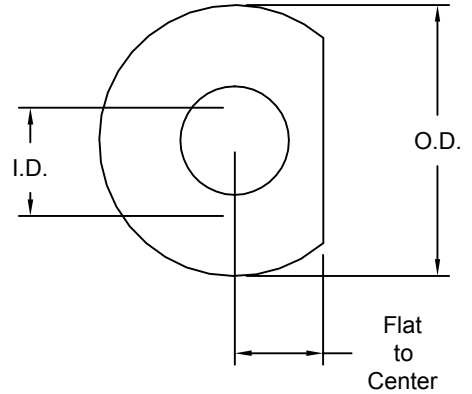
# WELD WASHERS, SERRATED WASHERS, LINKS

*Drawings are not to scale*

*Slots and holes are centered unless otherwise noted*

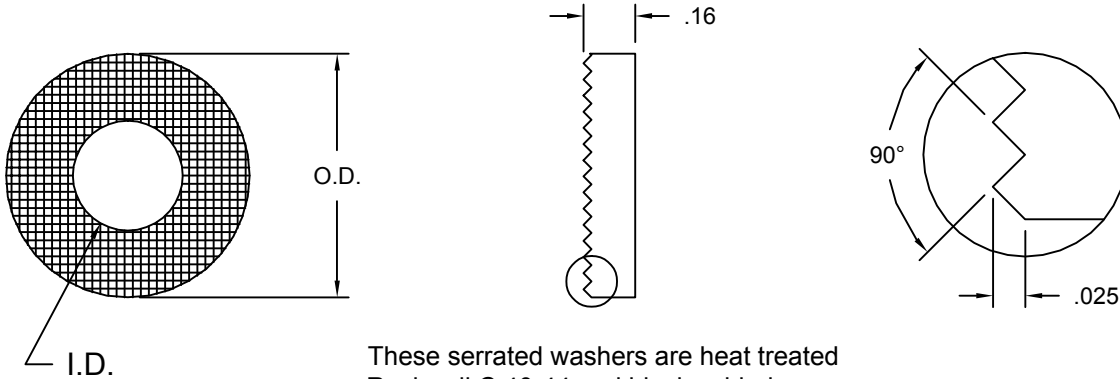
## DSCD Series Weld Washers

DSC Part No.	I.D.	O.D.	Flat to Center	Thickness	Material/Plating	Other part numbers
DSCD001-E125	0.25 inch	0.75 inch	0.25 inch	0.13 inch	steel	DSC-D-14
DSCD002-E125	0.31 inch	0.88 inch	0.31 inch	0.13 inch	steel	DSC-D-516
DSCD003-E250	0.38 inch	1.00 inch	0.38 inch	0.25 inch	steel	56ZF24981-38
DSCD004-E140	0.38 inch	1.00 inch	0.38 inch	0.14 inch	steel	56ZM 2359-2, DSC-D-38
DSCD005-E140	0.38 inch	1.00 inch	0.38 inch	0.14 inch	steel	FSD 14102
DSCD006-E140	0.38 inch	1.00 inch	0.38 inch	0.14 inch	stainless	FSD 14102SS
DSCD007-E190	0.50 inch	1.25 inch	0.38 inch	0.19 inch	steel	56ZM 2359-3, DSC-D-12
DSCD008-E190	0.50 inch	1.25 inch	0.38 inch	0.19 inch	steel	FSD 14103
DSCD009-E190	0.50 inch	1.25 inch	0.50 inch	0.19 inch	stainless	FSD 14103SS
DSCD010-E190	0.50 inch	1.25 inch	0.50 inch	0.19 inch	steel/zinc	FSD 14103Z
DSCD011-E250	0.50 inch	1.25 inch	0.50 inch	0.25 inch	steel	56ZF24981-12
DSCD018-E310	0.50 inch	1.38 inch	0.50 inch	0.31 inch	steel	P111005
DSCD012-E190	0.63 inch	1.38 inch	0.50 inch	0.19 inch	steel	DSC-D-58
DSCD013-E250	0.63 inch	1.50 inch	0.50 inch	0.25 inch	steel	56ZF24981-58
DSCD014-E250	0.75 inch	1.50 inch	0.56 inch	0.25 inch	steel	56ZF24981-34
DSCD015-E250	0.75 inch	1.50 inch	0.63 inch	0.25 inch	steel	FSD 14239, DSC-D-34
DSCD016-E250	0.88 inch	1.75 inch	0.63 inch	0.25 inch	steel	DSC-D-78
DSCD017-E310	1.00 inch	2.00 inch	0.69 inch	0.31 inch	steel	DSC-D-100
DSCD101-M300	6.4mm	19.0mm	6.4mm	3.0mm	steel	FSD 41341, DSC-D-M6
DSCD102-M300	6.4mm	19.0mm	6.4mm	3.0mm	phenolic	DSC-D-M6P
DSCD103-M300	8.1mm	22.4mm	8.0mm	3.0mm	steel	FSD 41342, DSC-D-M8
DSCD104-M300	8.1mm	22.4mm	8.0mm	3.0mm	phenolic	DSC-D-M8P
DSCD105-M300	10.1mm	25.4mm	10.0mm	3.0mm	steel	FSD 41343, DSC-D-M10
DSCD106-M300	10.1mm	25.4mm	10.0mm	3.0mm	phenolic	DSC-D-M10P
DSCD107-M400	12.1mm	31.8mm	12.0mm	4.0mm	steel	FSD 41344, DSC-D-M12
DSCD108-M400	12.1mm	31.8mm	12.0mm	4.0mm	phenolic	DSC-D-M12P
DSCD109-M480	16.7mm	38.1mm	15.0mm	4.8mm	steel	DSC-D-M16
DSCD110-M635	20.3mm	44.5mm	19.0mm	6.4mm	steel	DSC-D-M20



## DSCS Series Serrated Washers (dimensions in inches)

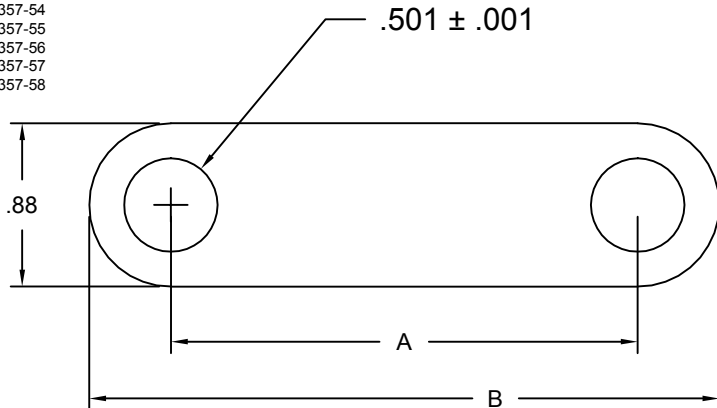
DSC Part No.	I.D.	O.D.	Thickness	Material	Other part numbers
DSCS001-E160	0.27	0.62	0.16	steel	FSD 14040-3
DSCS002-E160	0.33	0.75	0.16	steel	FSD 14040-4
DSCS003-E160	0.39	0.88	0.16	steel	FSD 14040-5
DSCS004-E160	0.52	1.00	0.16	steel	FSD 14040-1
DSCS005-E160	0.64	1.25	0.16	steel	FSD 14040-2



These serrated washers are heat treated Rockwell C 40-44 and black oxidized.

## DSCY Series Links (dimensions in inches)

DSC Part No.	A	B length	Thickness	Material	Other part numbers
DSCY001-E250	2.50	3.38	0.25	steel	WG-8357-51
DSCY002-E250	3.00	3.88	0.25	steel	WG-8357-52
DSCY003-E250	1.88	2.75	0.25	steel	WG-8357-53
DSCY004-E250	2.75	3.62	0.25	steel	WG-8357-54
DSCY005-E250	2.38	3.25	0.25	steel	WG-8357-55
DSCY006-E250	3.88	4.75	0.25	steel	WG-8357-56
DSCY007-E250	3.25	4.12	0.25	steel	WG-8357-57
DSCY008-E250	2.12	3.00	0.25	steel	WG-8357-58



Douglas Stamping Company (248) 542-3940 FAX (248) 542-6342

<http://dougstampco.com>    [sales@dougstampco.com](mailto:sales@dougstampco.com)