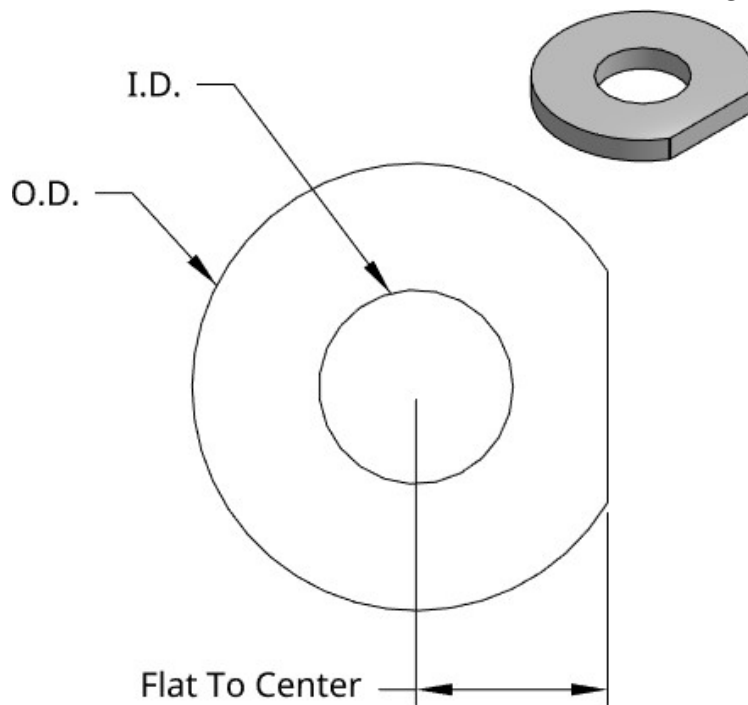


## DSCD Series Weld Washers



Stock Code	I.D.	O.D.	Flat to Center	Thickness	Material
DSCD104-M300	8.1mm	22.4mm	8.0mm	3.0mm	Phenolic
DSCD105-M300	10.1mm	25.4mm	10.0mm	3.0mm	Steel
DSCD105-M300HT	10.1mm	25.4mm	10.0mm	3.2mm	1050 37-42RC
DSCD105-M480	10.1mm	25.4mm	10.0mm	4.8mm	Steel
DSCD105-M640	10.1mm	25.4mm	10.0mm	6.4mm	Steel
DSCD106-M300	10.1mm	25.4mm	10.0mm	3.0mm	Phenolic
DSCD107-M300HT	12.1mm	31.8mm	12.0mm	3.2mm	1050 37-42RC
DSCD107-M400	12.1mm	31.8mm	12.0mm	4.0mm	Steel
DSCD107-M400SS	12.1mm	31.8mm	12.0mm	4.0mm	Stainless
DSCD107-M640	12.1mm	31.8mm	12.0mm	6.4mm	Steel
DSCD108-M400	12.1mm	31.8mm	12.0mm	4.0mm	Phenolic
DSCD109-M300HT	16.7mm	38.1mm	15.0mm	3.2mm	1050 37-42RC
DSCD109-M480	16.7mm	38.1mm	15.0mm	4.8mm	Steel
DSCD109-M640	16.7mm	38.1mm	15.0mm	6.4mm	Steel
DSCD110-M634	20.3mm	44.5mm	19.0mm	6.4mm	Steel
DSCD111-M300	14.7mm	34.8mm	12.9mm	3.0mm	Phenolic
DSCD111-M480	14.7mm	34.8mm	12.9mm	4.8mm	Steel
DSCD112-M100	3.0mm	7.5mm	2.63mm	1.0mm	Steel
DSCD113-M150	4.0mm	10.0mm	3.5mm	1.5mm	Steel/Zinc
DSCD114-M150	5.3mm	12.7mm	4.85mm	1.5mm	Steel/Zinc
DSCD114-M150SS	5.3mm	12.7mm	4.85mm	1.5mm	Stainless
DSCD115-M190	18.3mm	22.0mm	18.0mm	4.8mm	Steel
DSCD116-M250	24.3mm	28.0mm	24.0mm	6.4mm	Steel