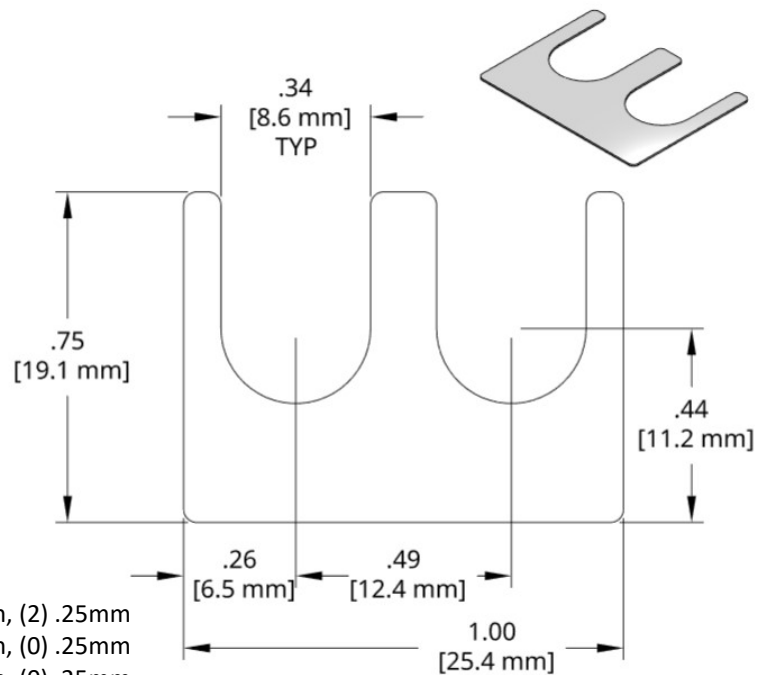


DSCH027 Series Shims

Individual Shim	Thickness
DSCH027-M025	.25 mm
DSCH027-M050	.50 mm
DSCH027-M100	1.00 mm
DSCH027-M200	2.00 mm
DSCH027-E015	.015 inch
DSCH027-E032	.032 inch
DSCH027-E062	.062 inch



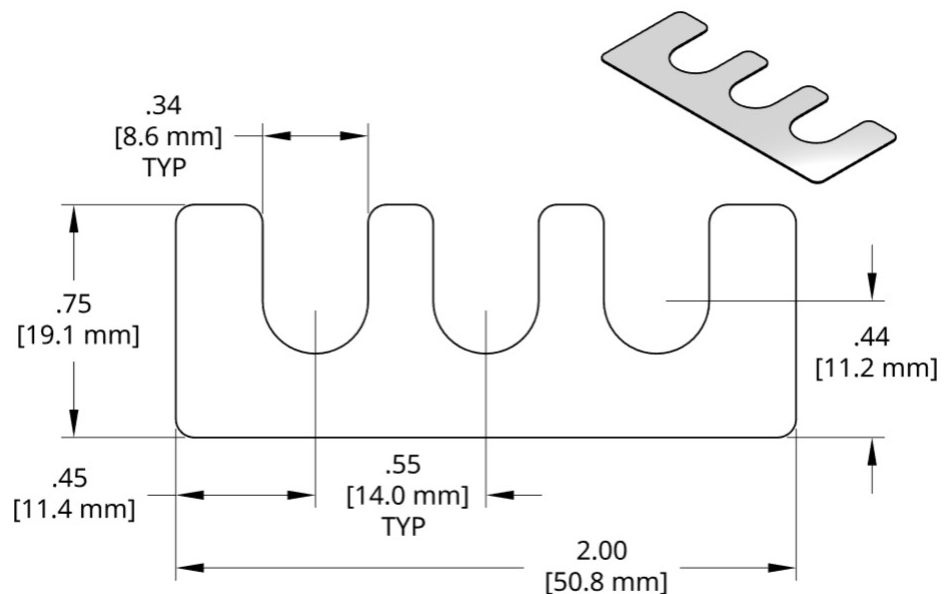
Full Hard 1010 steel shim stock. Black Oxide finish on -M050, -M100 and -M200 thickness shims.

Add a **K** to the end of the Bulk Set number for assembled (kitted) sets.

Bulk Set	Thick	Set Includes
DSCH027-M305	3.0mm	(0) 2.00mm, (2) 1.00mm, (1) .50mm, (2) .25mm
DSCH027-M454	4.5mm	(1) 2.00mm, (2) 1.00mm, (1) .50mm, (0) .25mm
DSCH027-M505	5.0mm	(1) 2.00mm, (2) 1.00mm, (2) .50mm, (0) .25mm
DSCH027-M506	5.0mm	(1) 2.00mm, (2) 1.00mm, (1) .50mm, (2) .25mm
DSCH027-M507	5.0mm	(1) 2.00mm, (1) 1.00mm, (3) .50mm, (2) .25mm
DSCH027-M605	6.0mm	(2) 2.00mm, (1) 1.00mm, (2) .50mm, (0) .25mm
DSCH027-M706	7.0mm	(2) 2.00mm, (2) 1.00mm, (2) .50mm, (0) .25mm
DSCH027-E255	.25 inch	(3) 0.062in, (2) 0.032in

DSCH028 Series Shims

Individual Shim	Thickness
DSCH028-M025	.25 mm
DSCH028-M050	.50 mm
DSCH028-M100	1.00 mm
DSCH028-M200	2.00 mm
DSCH028-E015	.015 inch
DSCH028-E032	.032 inch
DSCH028-E062	.062 inch



Full Hard 1010 steel shim stock. Black Oxide finish on -M050, -M100 and -M200 thickness shims.

Add a **K** to the end of the Bulk Set number for assembled (kitted) sets.

Bulk Set	Thick	Set Includes
DSCH028-M305	3.0mm	(0) 2.00mm, (2) 1.00mm, (1) .50mm, (2) .25mm
DSCH028-M454	4.5mm	(1) 2.00mm, (2) 1.00mm, (1) .50mm, (0) .25mm
DSCH028-M505	5.0mm	(1) 2.00mm, (2) 1.00mm, (2) .50mm, (0) .25mm
DSCH028-M506	5.0mm	(1) 2.00mm, (2) 1.00mm, (1) .50mm, (2) .25mm
DSCH028-M507	5.0mm	(1) 2.00mm, (1) 1.00mm, (3) .50mm, (2) .25mm
DSCH028-M605	6.0mm	(2) 2.00mm, (1) 1.00mm, (2) .50mm, (0) .25mm
DSCH028-M706	7.0mm	(2) 2.00mm, (2) 1.00mm, (2) .50mm, (0) .25mm
DSCH028-E255	.25 inch	(3) 0.062in, (2) 0.032in