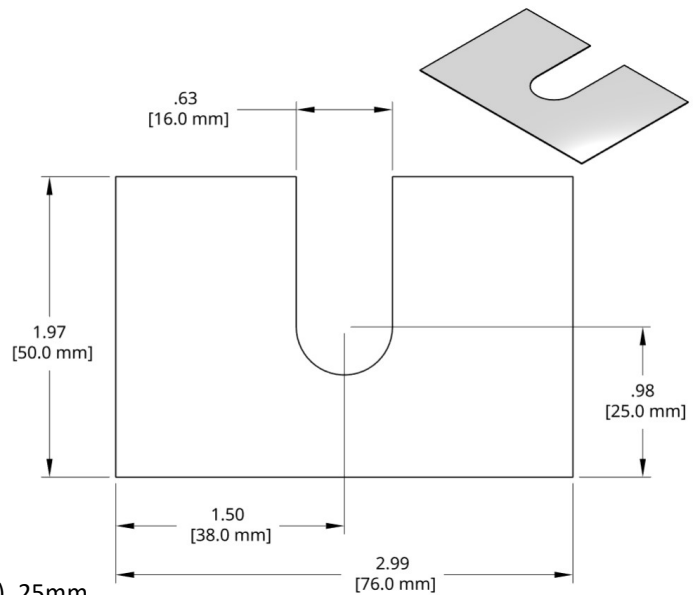


DSCH055 Series Shims

Individual Shim	Thickness
DSCH055-M025	.25 mm
DSCH055-M050	.50 mm
DSCH055-M100	1.00 mm
DSCH055-M200	2.00 mm
DSCH055-E015	.015 inch
DSCH055-E032	.032 inch
DSCH055-E062	.062 inch



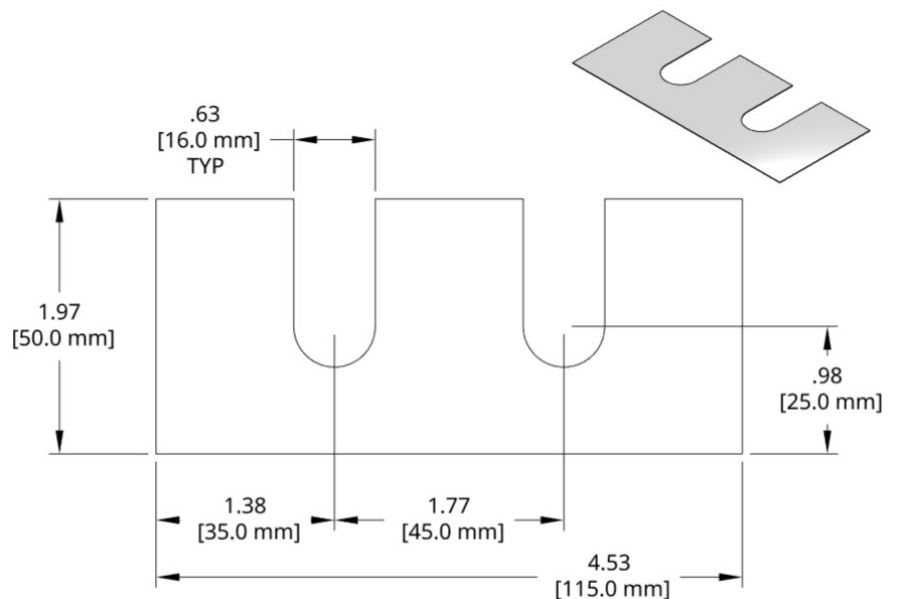
Full Hard 1010 steel shim stock. Black Oxide finish on -M050, -M100 and -M200 thickness shims.

Add a K to the end of the Bulk Set number for assembled (kitted) sets.

Bulk Set	Thick	Set Includes
DSCH055-M305	3.0mm	(0) 2.00mm, (2) 1.00mm, (1) .50mm, (2) .25mm
DSCH055-M454	4.5mm	(1) 2.00mm, (2) 1.00mm, (1) .50mm, (0) .25mm
DSCH055-M503	5.0MM	(2) 2.00Mmm (1) 1.00mm
DSCH055-M505	5.0mm	(1) 2.00mm, (2) 1.00mm, (2) .50mm, (0) .25mm
DSCH055-M506	5.0mm	(1) 2.00mm, (2) 1.00mm, (1) .50mm, (2) .25mm
DSCH055-M507	5.0mm	(1) 2.00mm, (1) 1.00mm, (3) .50mm, (2) .25mm
DSCH055-M605	6.0mm	(2) 2.00mm, (1) 1.00mm, (2) .50mm, (0) .25mm
DSCH055-M706	7.0mm	(2) 2.00mm, (2) 1.00mm, (2) .50mm, (0) .25mm
DSCH055-E255	.25 inch	(3) 0.062in, (2) 0.032in

DSCH056 Series Shims

Individual Shim	Thickness
DSCH056-M025	.25 mm
DSCH056-M050	.50 mm
DSCH056-M100	1.00 mm
DSCH056-M200	2.00 mm
DSCH056-E015	.015 inch
DSCH056-E032	.032 inch
DSCH056-E062	.062 inch



Full Hard 1010 steel shim stock. Black Oxide finish on -M050, -M100 and -M200 thickness shims.

Add a K to the end of the Bulk Set number for assembled (kitted) sets.

Bulk Set	Thick	Set Includes
DSCH056-M305	3.0mm	(0) 2.00mm, (2) 1.00mm, (1) .50mm, (2) .25mm
DSCH056-M454	4.5mm	(1) 2.00mm, (2) 1.00mm, (1) .50mm, (0) .25mm
DSCH056-M503	5.0MM	(2) 2.00Mmm (1) 1.00mm
DSCH056-M505	5.0mm	(1) 2.00mm, (2) 1.00mm, (2) .50mm, (0) .25mm
DSCH056-M506	5.0mm	(1) 2.00mm, (2) 1.00mm, (1) .50mm, (2) .25mm
DSCH056-M507	5.0mm	(1) 2.00mm, (1) 1.00mm, (3) .50mm, (2) .25mm
DSCH056-M605	6.0mm	(2) 2.00mm, (1) 1.00mm, (2) .50mm, (0) .25mm
DSCH056-M706	7.0mm	(2) 2.00mm, (2) 1.00mm, (2) .50mm, (0) .25mm
DSCH056-E255	.25 inch	(3) 0.062in, (2) 0.032in