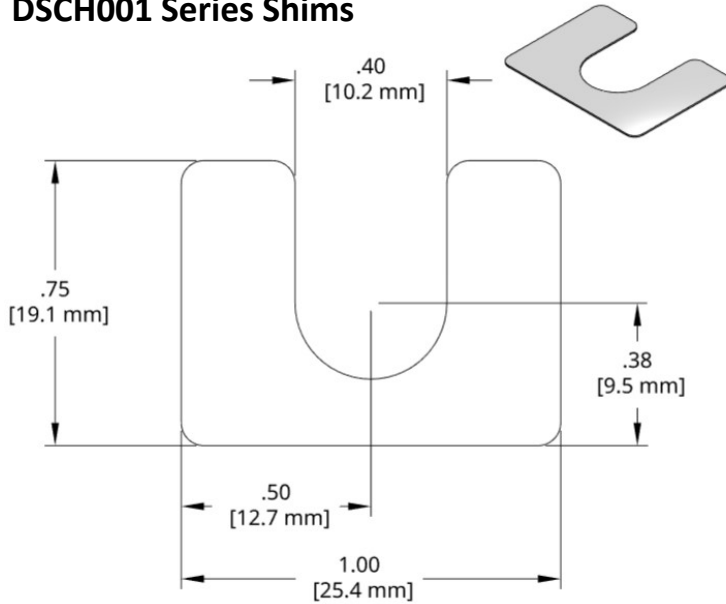


DSCH001 Series Shims



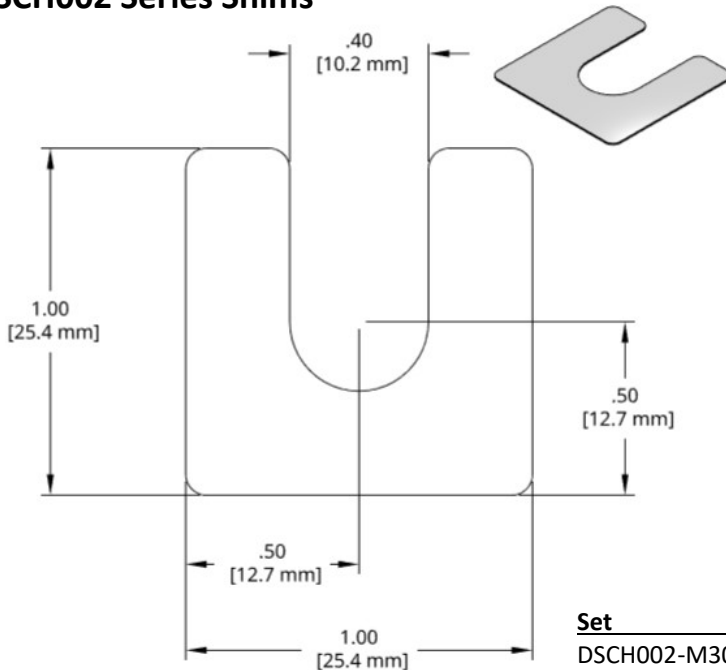
Individual Shim	Thickness
DSCH001-M025	.25 mm
DSCH001-M050	.50 mm
DSCH001-M100	1.00 mm
DSCH001-M200	2.00 mm
DSCH001-E015	.015 inch
DSCH001-E032	.032 inch
DSCH001-E062	.062 inch

Full Hard 1010 steel shim stock. Black Oxide finish on -M050, -M100 and -M200 thickness shims.

Add a **K** to the end of the Bulk Set number for assembled (kitted) sets.

Bulk Set	Thick	Set Includes
DSCH001-M305	3.0mm	(0) 2.00mm, (2) 1.00mm, (1) .50mm, (2) .25mm
DSCH001-M454	4.5mm	(1) 2.00mm, (2) 1.00mm, (1) .50mm, (0) .25mm
DSCH001-M505	5.0mm	(1) 2.00mm, (2) 1.00mm, (2) .50mm, (0) .25mm
DSCH001-M506	5.0mm	(1) 2.00mm, (2) 1.00mm, (1) .50mm, (2) .25mm
DSCH001-M507	5.0mm	(1) 2.00mm, (1) 1.00mm, (3) .50mm, (2) .25mm
DSCH001-M605	6.0mm	(2) 2.00mm, (1) 1.00mm, (2) .50mm, (0) .25mm
DSCH001-M706	7.0mm	(2) 2.00mm, (2) 1.00mm, (2) .50mm, (0) .25mm
DSCH001-E255	.25 inch	(3) 0.062in, (2) 0.032in

DSCH002 Series Shims



Individual Shims	Thickness
DSCH002-M025	.25 mm
DSCH002-M050	.50 mm
DSCH002-M100	1.00 mm
DSCH002-M200	2.00 mm
DSCH002-E015	.015 inch
DSCH002-E032	.032 inch
DSCH002-E062	.062 inch

Full Hard 1010 steel shim stock. Black Oxide finish on -M050, -M100 and -M200 thickness shims.

Add a **K** to the end of the Bulk Set number for assembled (kitted) sets.

Set	Thick	Set Includes
DSCH002-M305	3.0mm	(0) 2.00mm, (2) 1.00mm, (1) .50mm, (2) .25mm
DSCH002-M454	4.5mm	(1) 2.00mm, (2) 1.00mm, (1) .50mm, (0) .25mm
DSCH002-M505	5.0mm	(1) 2.00mm, (2) 1.00mm, (2) .50mm, (0) .25mm
DSCH002-M506	5.0mm	(1) 2.00mm, (2) 1.00mm, (1) .50mm, (2) .25mm
DSCH002-M507	5.0mm	(1) 2.00mm, (1) 1.00mm, (3) .50mm, (2) .25mm
DSCH002-M605	6.0mm	(2) 2.00mm, (1) 1.00mm, (2) .50mm, (0) .25mm
DSCH002-M706	7.0mm	(2) 2.00mm, (2) 1.00mm, (2) .50mm, (0) .25mm
DSCH002-E255	.25 inch	(3) 0.062in, (2) 0.032in