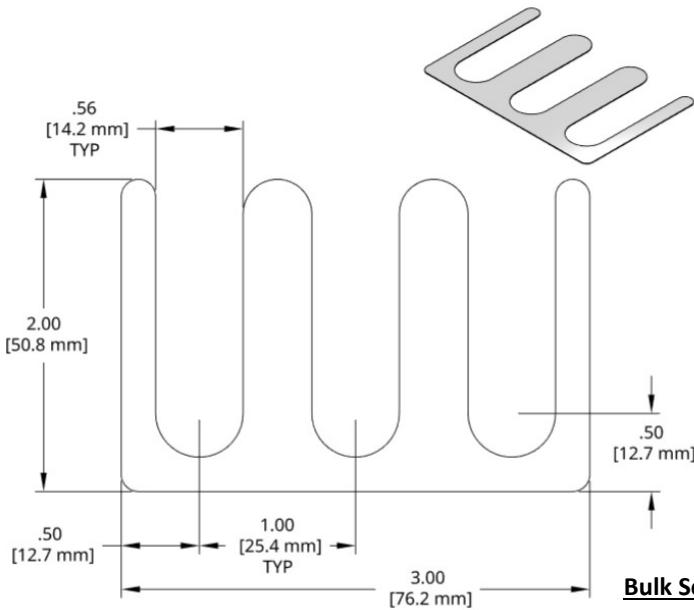


DSCH081 Series Shims

<u>Individual Shim</u>	<u>Thickness</u>
DSCH081-M025	.25 mm
DSCH081-M050	.50 mm
DSCH081-M100	1.00 mm
DSCH081-M200	2.00 mm
DSCH081-E015	.015 inch
DSCH081-E032	.032 inch
DSCH081-E062	.062 inch



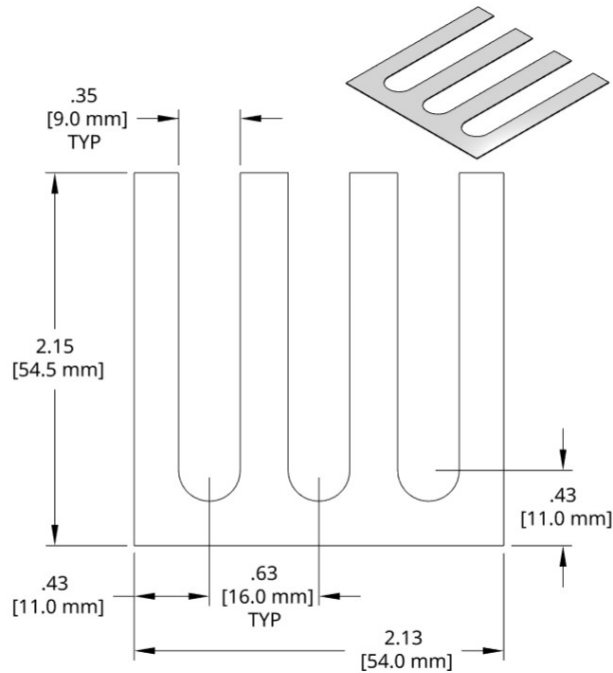
Full Hard 1010 steel shim stock. Black Oxide finish on -M050, -M100 and -M200 thickness shims.

Add a **K** to the end of the Bulk Set number for assembled (kitted) sets.

<u>Bulk Set</u>	<u>Thick</u>	<u>Set Includes</u>
DSCH081-M305	3.0mm	(0) 2.00mm, (2) 1.00mm, (1) .50mm, (2) .25mm
DSCH081-M454	4.5mm	(1) 2.00mm, (2) 1.00mm, (1) .50mm, (0) .25mm
DSCH081-M505	5.0mm	(1) 2.00mm, (2) 1.00mm, (2) .50mm, (0) .25mm
DSCH081-M506	5.0mm	(1) 2.00mm, (2) 1.00mm, (1) .50mm, (2) .25mm
DSCH081-M507	5.0mm	(1) 2.00mm, (1) 1.00mm, (3) .50mm, (2) .25mm
DSCH081-M605	6.0mm	(2) 2.00mm, (1) 1.00mm, (2) .50mm, (0) .25mm
DSCH081-M706	7.0mm	(2) 2.00mm, (2) 1.00mm, (2) .50mm, (0) .25mm
DSCH081-E255	.25 inch	(3) 0.062in, (2) 0.032in

DSCH082 Series Shims

<u>Individual Shims</u>	<u>Thickness</u>
DSCH082-M025	.25 mm
DSCH082-M050	.50 mm
DSCH082-M100	1.00 mm
DSCH082-M200	2.00 mm
DSCH082-E015	.015 inch
DSCH082-E032	.032 inch
DSCH082-E062	.062 inch



Full Hard 1010 steel shim stock. Black Oxide finish on -M050, -M100 and -M200 thickness shims.

Add a **K** to the end of the Bulk Set number for assembled (kitted) sets.

<u>Set</u>	<u>Thick</u>	<u>Set Includes</u>
DSCH082-M305	3.0mm	(0) 2.00mm, (2) 1.00mm, (1) .50mm, (2) .25mm
DSCH082-M454	4.5mm	(1) 2.00mm, (2) 1.00mm, (1) .50mm, (0) .25mm
DSCH082-M505	5.0mm	(1) 2.00mm, (2) 1.00mm, (2) .50mm, (0) .25mm
DSCH082-M506	5.0mm	(1) 2.00mm, (2) 1.00mm, (1) .50mm, (2) .25mm
DSCH082-M507	5.0mm	(1) 2.00mm, (1) 1.00mm, (3) .50mm, (2) .25mm
DSCH082-M605	6.0mm	(2) 2.00mm, (1) 1.00mm, (2) .50mm, (0) .25mm
DSCH082-M706	7.0mm	(2) 2.00mm, (2) 1.00mm, (2) .50mm, (0) .25mm
DSCH082-E255	.25 inch	(3) 0.062in, (2) 0.032in