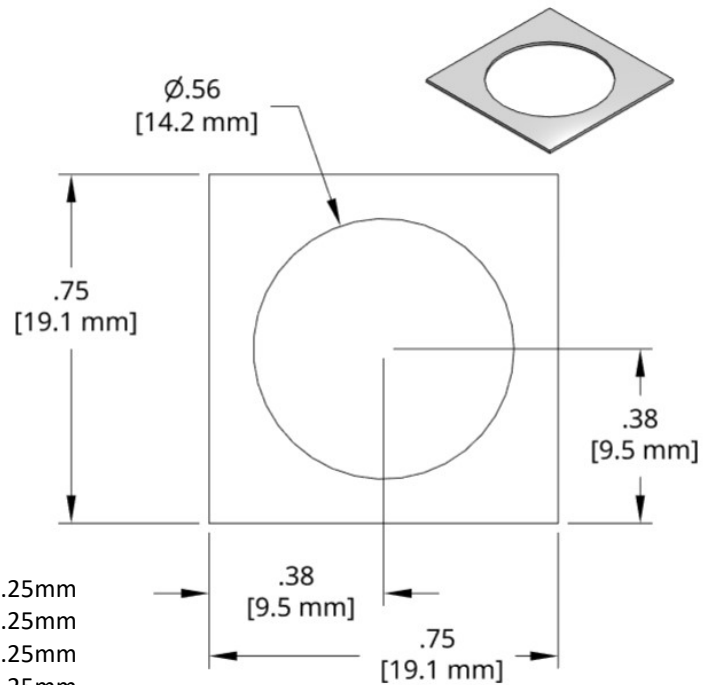


DSCH083 Series Shims

Individual Shim	Thickness
DSCH083-M025	.25 mm
DSCH083-M050	.50 mm
DSCH083-M100	1.00 mm
DSCH083-M200	2.00 mm
DSCH083-E015	.015 inch
DSCH083-E032	.032 inch
DSCH083-E062	.062 inch



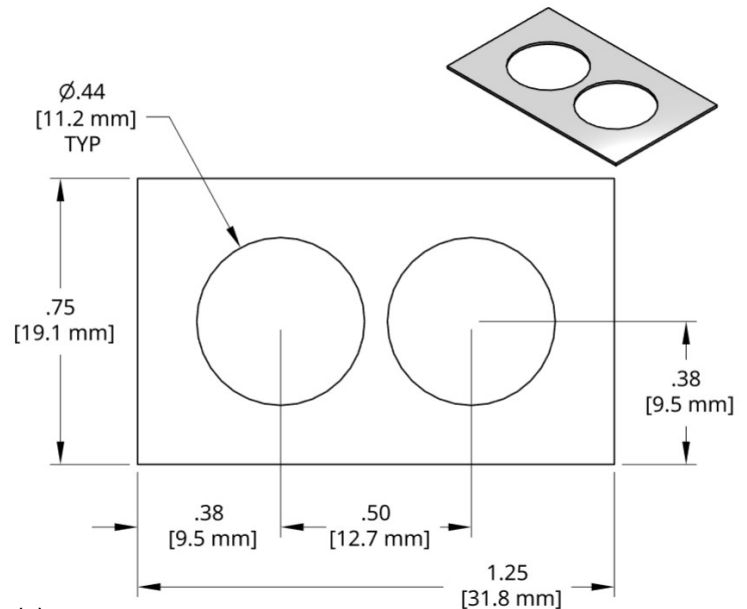
Full Hard 1010 steel shim stock.

Add a **K** to the end of the Bulk Set number for assembled (kitted) sets.

Bulk Set	Thick	Set Includes
DSCH083-M305	3.0mm	(0) 2.00mm, (2) 1.00mm, (1) .50mm, (2) .25mm
DSCH083-M454	4.5mm	(1) 2.00mm, (2) 1.00mm, (1) .50mm, (0) .25mm
DSCH083-M505	5.0mm	(1) 2.00mm, (2) 1.00mm, (2) .50mm, (0) .25mm
DSCH083-M506	5.0mm	(1) 2.00mm, (2) 1.00mm, (1) .50mm, (2) .25mm
DSCH083-M507	5.0mm	(1) 2.00mm, (1) 1.00mm, (3) .50mm, (2) .25mm
DSCH083-M605	6.0mm	(2) 2.00mm, (1) 1.00mm, (2) .50mm, (0) .25mm
DSCH083-M706	7.0mm	(2) 2.00mm, (2) 1.00mm, (2) .50mm, (0) .25mm
DSCH083-E155	.150 inch	(1) .062in, (2) .032in, (2) .015in
DSCH083-E255	.25 inch	(3) 0.062in, (2) 0.032in

DSCH084 Series Shims

Individual Shim	Thickness
DSCH084-M025	.25 mm
DSCH084-M050	.50 mm
DSCH084-M100	1.00 mm
DSCH084-M200	2.00 mm
DSCH084-E015	.015 inch
DSCH084-E032	.032 inch
DSCH084-E062	.062 inch



Full Hard 1010 steel shim stock.

Add a **K** to the end of the Bulk Set number for assembled (kitted) sets.

Bulk Set	Thick	Set Includes
DSCH084-M305	3.0mm	(0) 2.00mm, (2) 1.00mm, (1) .50mm, (2) .25mm
DSCH084-M454	4.5mm	(1) 2.00mm, (2) 1.00mm, (1) .50mm, (0) .25mm
DSCH084-M505	5.0mm	(1) 2.00mm, (2) 1.00mm, (2) .50mm, (0) .25mm
DSCH084-M506	5.0mm	(1) 2.00mm, (2) 1.00mm, (1) .50mm, (2) .25mm
DSCH084-M507	5.0mm	(1) 2.00mm, (1) 1.00mm, (3) .50mm, (2) .25mm
DSCH084-M605	6.0mm	(2) 2.00mm, (1) 1.00mm, (2) .50mm, (0) .25mm
DSCH084-M706	7.0mm	(2) 2.00mm, (2) 1.00mm, (2) .50mm, (0) .25mm
DSCH084-E155	.150 inch	(1) .062in, (2) .032in, (2) .015in
DSCH084-E255	.25 inch	(3) 0.062in, (2) 0.032in