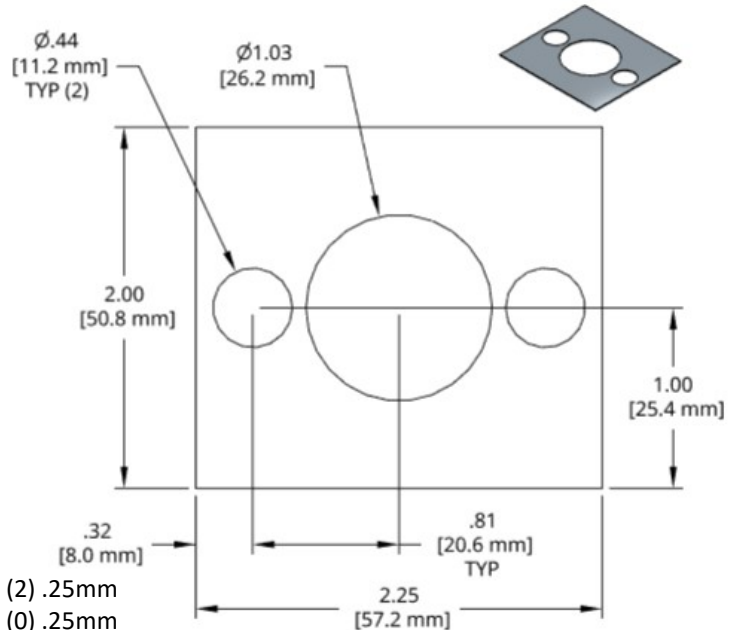


DSCH091 Series Shims

Individual Shim	Thickness
DSCH091-M025	.25 mm
DSCH091-M050	.50 mm
DSCH091-M100	1.00 mm
DSCH091-M200	2.00 mm
DSCH091-E015	.015 inch
DSCH091-E032	.032 inch
DSCH091-E062	.062 inch



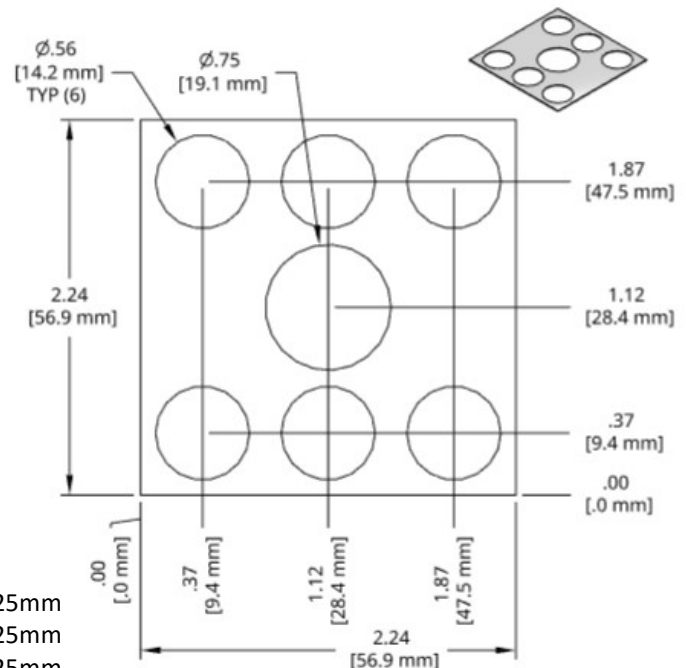
Full Hard 1010 steel shim stock.

Add a K to the end of the Bulk Set number for assembled (kitted) sets.

Bulk Set	Thick	Set Includes
DSCH091-M305	3.0mm	(0) 2.00mm, (2) 1.00mm, (1) .50mm, (2) .25mm
DSCH091-M454	4.5mm	(1) 2.00mm, (2) 1.00mm, (1) .50mm, (0) .25mm
DSCH091-M505	5.0mm	(1) 2.00mm, (2) 1.00mm, (2) .50mm, (0) .25mm
DSCH091-M506	5.0mm	(1) 2.00mm, (2) 1.00mm, (1) .50mm, (2) .25mm
DSCH091-M507	5.0mm	(1) 2.00mm, (1) 1.00mm, (3) .50mm, (2) .25mm
DSCH091-M605	6.0mm	(2) 2.00mm, (1) 1.00mm, (2) .50mm, (0) .25mm
DSCH091-M706	7.0mm	(2) 2.00mm, (2) 1.00mm, (2) .50mm, (0) .25mm
DSCH091-E155	.150 inch	(1) .062in, (2) .032in, (2) .015in
DSCH091-E255	.25 inch	(3) 0.062in, (2) 0.032in

DSCH092 Series Shims

Individual Shim	Thickness
DSCH092-M025	.25 mm
DSCH092-M050	.50 mm
DSCH092-M100	1.00 mm
DSCH092-M200	2.00 mm
DSCH092-E015	.015 inch
DSCH092-E032	.032 inch
DSCH092-E062	.062 inch



Full Hard 1010 steel shim stock.

Add a K to the end of the Bulk Set number for assembled (kitted) sets.

Bulk Set	Thick	Set Includes
DSCH092-M305	3.0mm	(0) 2.00mm, (2) 1.00mm, (1) .50mm, (2) .25mm
DSCH092-M454	4.5mm	(1) 2.00mm, (2) 1.00mm, (1) .50mm, (0) .25mm
DSCH092-M505	5.0mm	(1) 2.00mm, (2) 1.00mm, (2) .50mm, (0) .25mm
DSCH092-M506	5.0mm	(1) 2.00mm, (2) 1.00mm, (1) .50mm, (2) .25mm
DSCH092-M507	5.0mm	(1) 2.00mm, (1) 1.00mm, (3) .50mm, (2) .25mm
DSCH092-M605	6.0mm	(2) 2.00mm, (1) 1.00mm, (2) .50mm, (0) .25mm
DSCH092-M706	7.0mm	(2) 2.00mm, (2) 1.00mm, (2) .50mm, (0) .25mm
DSCH092-E155	.150 inch	(1) .062in, (2) .032in, (2) .015in
DSCH092-E255	.25 inch	(3) 0.062in, (2) 0.032in