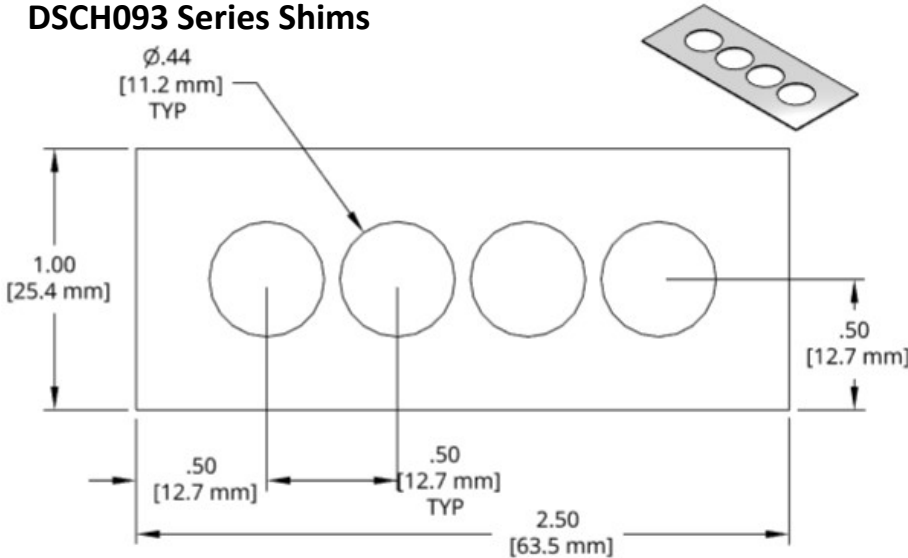


DSCH093 Series Shims



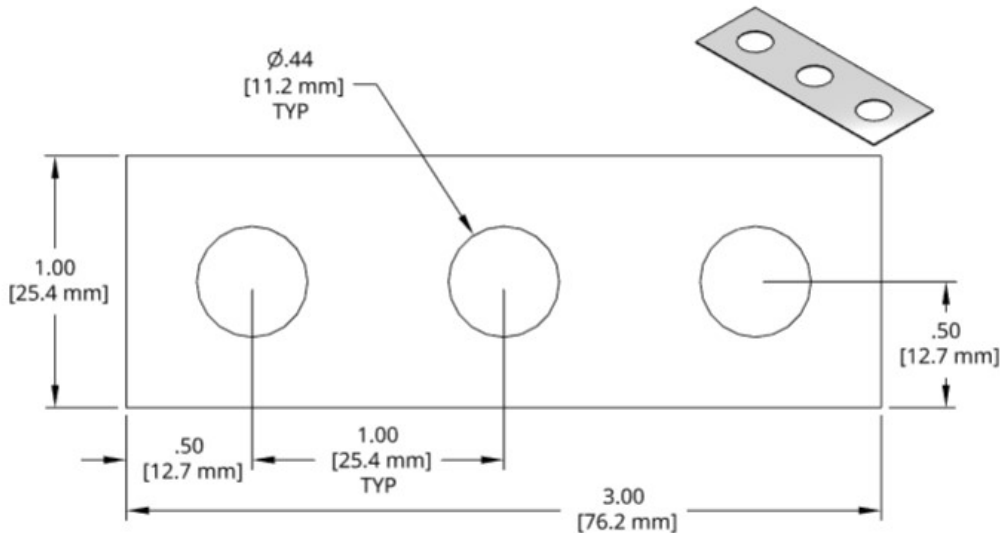
Individual Shim	Thickness
DSCH093-M025	.25 mm
DSCH093-M050	.50 mm
DSCH093-M100	1.00 mm
DSCH093-M200	2.00 mm
DSCH093-E015	.015 inch
DSCH093-E032	.032 inch
DSCH093-E062	.062 inch

Full Hard 1010 steel shim stock.

Add a **K** to the end of the Bulk Set number for assembled (kitted) sets.

Bulk Set	Thick	Set Includes
DSCH093-M305	3.0mm	(0) 2.00mm, (2) 1.00mm, (1) .50mm, (2) .25mm
DSCH093-M454	4.5mm	(1) 2.00mm, (2) 1.00mm, (1) .50mm, (0) .25mm
DSCH093-M505	5.0mm	(1) 2.00mm, (2) 1.00mm, (2) .50mm, (0) .25mm
DSCH093-M506	5.0mm	(1) 2.00mm, (2) 1.00mm, (1) .50mm, (2) .25mm
DSCH093-M507	5.0mm	(1) 2.00mm, (1) 1.00mm, (3) .50mm, (2) .25mm
DSCH093-M605	6.0mm	(2) 2.00mm, (1) 1.00mm, (2) .50mm, (0) .25mm
DSCH093-M706	7.0mm	(2) 2.00mm, (2) 1.00mm, (2) .50mm, (0) .25mm
DSCH093-E155	.150 inch	(1) .062in, (2) .032in, (2) .015in
DSCH093-E255	.25 inch	(3) 0.062in, (2) 0.032in

DSCH094 Series Shims



Individual Shims	Thickness
DSCH094-M025	.25 mm
DSCH094-M050	.50 mm
DSCH094-M100	1.00 mm
DSCH094-M200	2.00 mm
DSCH094-E015	.015 inch
DSCH094-E032	.032 inch
DSCH094-E062	.062 inch

Full Hard 1010 steel shim stock.

Add a **K** to the end of the Bulk Set number for assembled (kitted) sets.

Set	Thick	Set Includes
DSCH094-M305	3.0mm	(0) 2.00mm, (2) 1.00mm, (1) .50mm, (2) .25mm
DSCH094-M454	4.5mm	(1) 2.00mm, (2) 1.00mm, (1) .50mm, (0) .25mm
DSCH094-M505	5.0mm	(1) 2.00mm, (2) 1.00mm, (2) .50mm, (0) .25mm
DSCH094-M506	5.0mm	(1) 2.00mm, (2) 1.00mm, (1) .50mm, (2) .25mm
DSCH094-M507	5.0mm	(1) 2.00mm, (1) 1.00mm, (3) .50mm, (2) .25mm
DSCH094-M605	6.0mm	(2) 2.00mm, (1) 1.00mm, (2) .50mm, (0) .25mm
DSCH094-M706	7.0mm	(2) 2.00mm, (2) 1.00mm, (2) .50mm, (0) .25mm
DSCH094-E155	.150 inch	(1) .062in, (2) .032in, (2) .015in
DSCH094-E255	.25 inch	(3) 0.062in, (2) 0.032in