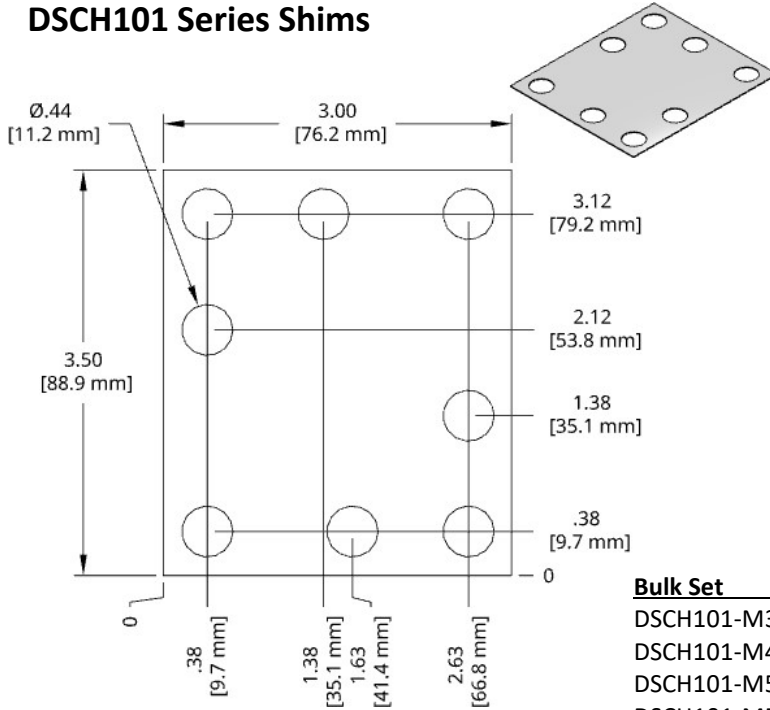


DSCH101 Series Shims



Individual Shim	Thickness
DSCH101-M025	.25 mm
DSCH101-M050	.50 mm
DSCH101-M100	1.00 mm
DSCH101-M200	2.00 mm
DSCH101-E015	.015 inch
DSCH101-E032	.032 inch
DSCH101-E062	.062 inch

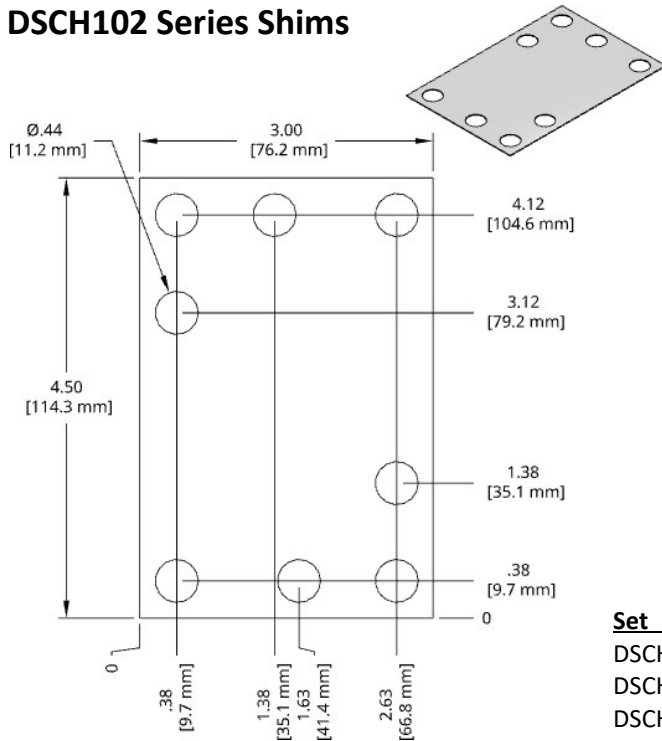
Full Hard 1010 steel shim stock. Black Oxide finish on -M050, -M100 and -M200 thickness shims.

Add a **K** to the end of the Bulk Set number for assembled (kitted) sets.

Bulk Set Thick Set Includes

Bulk Set	Thick	Set Includes
DSCH101-M305	3.0mm	(0) 2.00mm, (2) 1.00mm, (1) .50mm, (2) .25mm
DSCH101-M454	4.5mm	(1) 2.00mm, (2) 1.00mm, (1) .50mm, (0) .25mm
DSCH101-M505	5.0mm	(1) 2.00mm, (2) 1.00mm, (2) .50mm, (0) .25mm
DSCH101-M506	5.0mm	(1) 2.00mm, (2) 1.00mm, (1) .50mm, (2) .25mm
DSCH101-M507	5.0mm	(1) 2.00mm, (1) 1.00mm, (3) .50mm, (2) .25mm
DSCH101-M605	6.0mm	(2) 2.00mm, (1) 1.00mm, (2) .50mm, (0) .25mm
DSCH101-M706	7.0mm	(2) 2.00mm, (2) 1.00mm, (2) .50mm, (0) .25mm
DSCH101-E155	.150 inch	(1) .062in, (2) .032in, (2) .015in
DSCH101-E255	.25 inch	(3) 0.062in, (2) 0.032in

DSCH102 Series Shims



Individual Shims	Thickness
DSCH102-M025	.25 mm
DSCH102-M050	.50 mm
DSCH102-M100	1.00 mm
DSCH102-M200	2.00 mm
DSCH102-E015	.015 inch
DSCH102-E032	.032 inch
DSCH102-E062	.062 inch

Full Hard 1010 steel shim stock. Black Oxide finish on -M050, -M100 and -M200 thickness shims.

Add a **K** to the end of the Bulk Set number for assembled (kitted) sets.

Set Thick Set Includes

Set	Thick	Set Includes
DSCH102-M305	3.0mm	(0) 2.00mm, (2) 1.00mm, (1) .50mm, (2) .25mm
DSCH102-M454	4.5mm	(1) 2.00mm, (2) 1.00mm, (1) .50mm, (0) .25mm
DSCH102-M505	5.0mm	(1) 2.00mm, (2) 1.00mm, (2) .50mm, (0) .25mm
DSCH102-M506	5.0mm	(1) 2.00mm, (2) 1.00mm, (1) .50mm, (2) .25mm
DSCH102-M507	5.0mm	(1) 2.00mm, (1) 1.00mm, (3) .50mm, (2) .25mm
DSCH102-M605	6.0mm	(2) 2.00mm, (1) 1.00mm, (2) .50mm, (0) .25mm
DSCH102-M706	7.0mm	(2) 2.00mm, (2) 1.00mm, (2) .50mm, (0) .25mm
DSCH102-E155	.150 inch	(1) .062in, (2) .032in, (2) .015in
DSCH102-E255	.25 inch	(3) 0.062in, (2) 0.032in