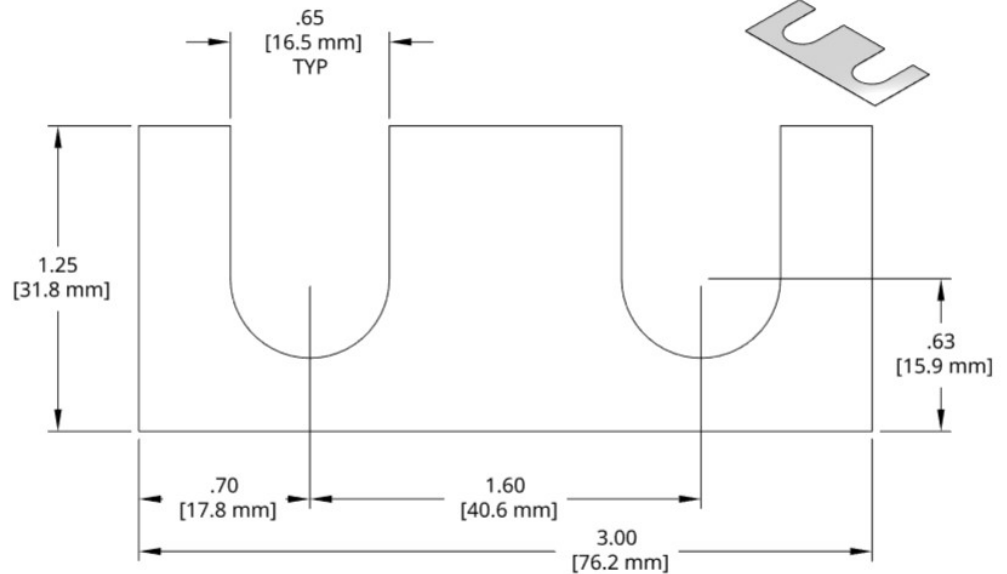


DSCH111 Series Shims

Individual Shim	Thickness
DSCH111-M025	.25 mm
DSCH111-M050	.50 mm
DSCH111-M100	1.00 mm
DSCH111-M200	2.00 mm
DSCH111-E005	.005 inch
DSCH111-E010	.010 inch
DSCH111-E015	.015 inch
DSCH111-E030	.032 inch
DSCH111-E060	.062 inch
DSCH111-E125	.125 inch



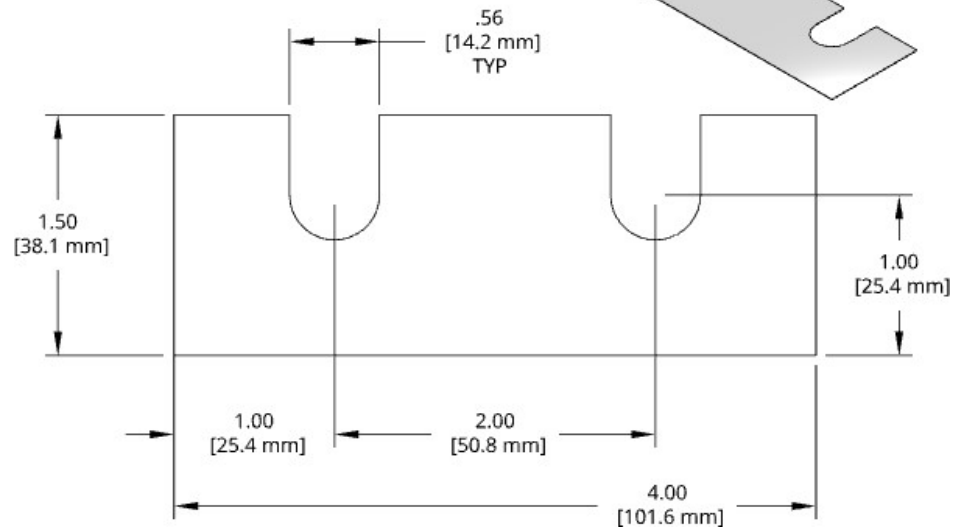
Bulk Set	Thick	Set Includes
DSCH111-M305	3.0mm	(0) 2.00mm, (2) 1.00mm, (1) .50mm, (2) .25mm
DSCH111-M454	4.5mm	(1) 2.00mm, (2) 1.00mm, (1) .50mm, (0) .25mm
DSCH111-M505	5.0mm	(1) 2.00mm, (2) 1.00mm, (2) .50mm, (0) .25mm
DSCH111-M506	5.0mm	(1) 2.00mm, (2) 1.00mm, (1) .50mm, (2) .25mm
DSCH111-M507	5.0mm	(1) 2.00mm, (1) 1.00mm, (3) .50mm, (2) .25mm
DSCH111-M605	6.0mm	(2) 2.00mm, (1) 1.00mm, (2) .50mm, (0) .25mm
DSCH111-M706	7.0mm	(2) 2.00mm, (2) 1.00mm, (2) .50mm, (0) .25mm
DSCH111-E155	.150 inch	(1) .062in, (2) .032in, (2) .015in

Full Hard 1010 steel shim stock. Black Oxide finish on -M050, -M100 and -M200 thickness shims.

Add a K to the end of the Bulk Set number for assembled (kitted) sets.

DSCH112 Series Shims

Individual Shim	Thickness
DSCH112-M025	.25 mm
DSCH112-M050	.50 mm
DSCH112-M100	1.00 mm
DSCH112-M200	2.00 mm
DSCH112-E005	.005 inch
DSCH112-E010	.010 inch
DSCH112-E015	.015 inch
DSCH112-E030	.032 inch
DSCH112-E060	.062 inch
DSCH112-E125	.125 inch



Bulk Set	Thick	Set Includes
DSCH112-M305	3.0mm	(0) 2.00mm, (2) 1.00mm, (1) .50mm, (2) .25mm
DSCH112-M454	4.5mm	(1) 2.00mm, (2) 1.00mm, (1) .50mm, (0) .25mm
DSCH112-M505	5.0mm	(1) 2.00mm, (2) 1.00mm, (2) .50mm, (0) .25mm
DSCH112-M506	5.0mm	(1) 2.00mm, (2) 1.00mm, (1) .50mm, (2) .25mm
DSCH112-M507	5.0mm	(1) 2.00mm, (1) 1.00mm, (3) .50mm, (2) .25mm
DSCH112-M605	6.0mm	(2) 2.00mm, (1) 1.00mm, (2) .50mm, (0) .25mm
DSCH112-M706	7.0mm	(2) 2.00mm, (2) 1.00mm, (2) .50mm, (0) .25mm
DSCH112-E155	.150 inch	(1) .062in, (2) .032in, (2) .015in

Full Hard 1010 steel shim stock. Black Oxide finish on -M050, -M100 and -M200 thickness shims.

Add a K to the end of the Bulk Set number for assembled (kitted) sets.