

Sets are bulk shipped

Order SHIMS by individual piece or set

Drawings are not to scale

Metric shims over 0.25mm thick are black oxidized

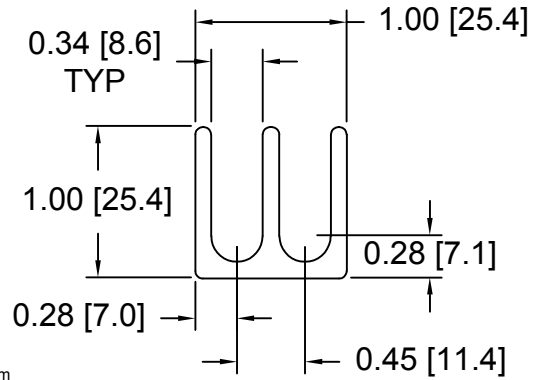
Slots and holes are centered unless otherwise noted

DSCH079 Series - Individual Shims

DSC Part No.	Description	Thickness	Other part numbers
DSCH079-M025	Metric thickness shim	.25mm	M FS 15-UUUU
DSCH079-M050	Metric thickness shim	.50mm	M FS 15-UUUU
DSCH079-M100	Metric thickness shim	1.00mm	M FS 15-UU
DSCH079-M200	Metric thickness shim	2.00mm	M FS 15-U
DSCH079-E015	Inch thickness shim	.015 inch	FS 15-UUU
DSCH079-E032	Inch thickness shim	.031 inch	FS 15-UU
DSCH079-E062	Inch thickness shim	.062 inch	FS 15-U

DSCH079 Series - Shim Sets

DSC Part No.	Description	Thickness	Set includes
DSCH079-M454	Four piece metric shim set	4.50mm	(1) 2.00mm, (2) 1.00mm, (1) .50mm
DSCH079-M505	Five piece metric shim set	5.00mm	(1) 2.00mm, (2) 1.00mm, (2) .50mm
DSCH079-M506	Six piece metric shim set	5.00mm	(1) 2.00mm, (2) 1.00mm, (1) .50mm, (2) .25mm
DSCH079-M507	Seven piece metric shim set	5.00mm	(1) 2.00mm, (1) 1.00mm, (3) .50mm, (2) .25mm
DSCH079-M605	Five piece metric shim set	6.00mm	(2) 2.00mm, (1) 1.00mm, (2) .50mm
DSCH079-E255	Five piece inch shim set	.250 inch	(3) .062 inch, (2) .031 inch

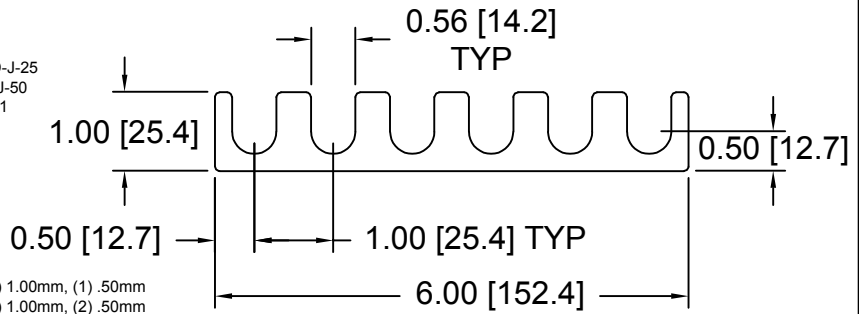


DSCH080 Series - Individual Shims

DSC Part No.	Description	Thickness	Other part numbers
DSCH080-M025	Metric thickness shim	.25mm	M FS 15-VVVV, GSD-J-25
DSCH080-M050	Metric thickness shim	.50mm	M FS 15-VV, GSD-J-50
DSCH080-M100	Metric thickness shim	1.00mm	M FS 15-VV, GSD-J-1
DSCH080-M200	Metric thickness shim	2.00mm	M FS 15-V, GSD-J-2
DSCH080-E015	Inch thickness shim	.015 inch	FS 15-VVV
DSCH080-E032	Inch thickness shim	.031 inch	FS 15-VV
DSCH080-E062	Inch thickness shim	.062 inch	FS 15-V

DSCH080 Series - Shim Sets

DSC Part No.	Description	Thickness	Set includes
DSCH080-M454	Four piece metric shim set	4.50mm	(1) 2.00mm, (2) 1.00mm, (1) .50mm
DSCH080-M505	Five piece metric shim set	5.00mm	(1) 2.00mm, (2) 1.00mm, (2) .50mm
DSCH080-M506	Six piece metric shim set	5.00mm	(1) 2.00mm, (2) 1.00mm, (1) .50mm, (2) .25mm
DSCH080-M507	Seven piece metric shim set	5.00mm	(1) 2.00mm, (1) 1.00mm, (3) .50mm, (2) .25mm
DSCH080-M605	Five piece metric shim set	6.00mm	(2) 2.00mm, (1) 1.00mm, (2) .50mm
DSCH080-E255	Five piece inch shim set	.250 inch	(3) .062 inch, (2) .031 inch

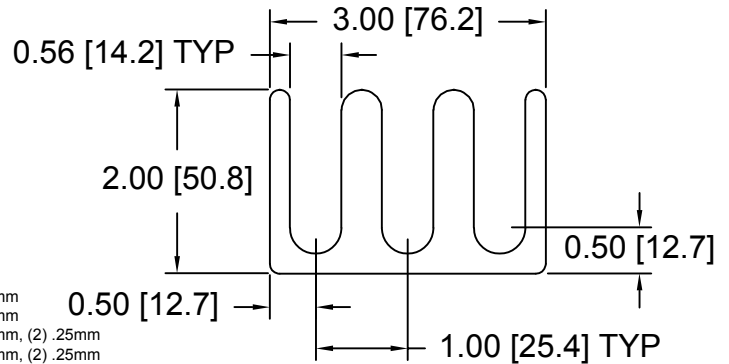


DSCH081 Series - Individual Shims

DSC Part No.	Description	Thickness	Other part numbers
DSCH081-M025	Metric thickness shim	.25mm	M FS 15-WWWW, GSD-K-25
DSCH081-M050	Metric thickness shim	.50mm	M FS 15-WWW, GSD-K-50
DSCH081-M100	Metric thickness shim	1.00mm	M FS 15-WW, GSD-K-1
DSCH081-M200	Metric thickness shim	2.00mm	M FS 15-W, GSD-K-2
DSCH081-E015	Inch thickness shim	.015 inch	FS 15-WWWW
DSCH081-E032	Inch thickness shim	.031 inch	FS 15-WW
DSCH081-E062	Inch thickness shim	.062 inch	FS 15-W

DSCH081 Series - Shim Sets

DSC Part No.	Description	Thickness	Set includes
DSCH081-M454	Four piece metric shim set	4.50mm	(1) 2.00mm, (2) 1.00mm, (1) .50mm
DSCH081-M505	Five piece metric shim set	5.00mm	(1) 2.00mm, (2) 1.00mm, (2) .50mm
DSCH081-M506	Six piece metric shim set	5.00mm	(1) 2.00mm, (2) 1.00mm, (1) .50mm, (2) .25mm
DSCH081-M507	Seven piece metric shim set	5.00mm	(1) 2.00mm, (1) 1.00mm, (3) .50mm, (2) .25mm
DSCH081-M605	Five piece metric shim set	6.00mm	(2) 2.00mm, (1) 1.00mm, (2) .50mm
DSCH081-E255	Five piece inch shim set	.250 inch	(3) .062 inch, (2) .031 inch

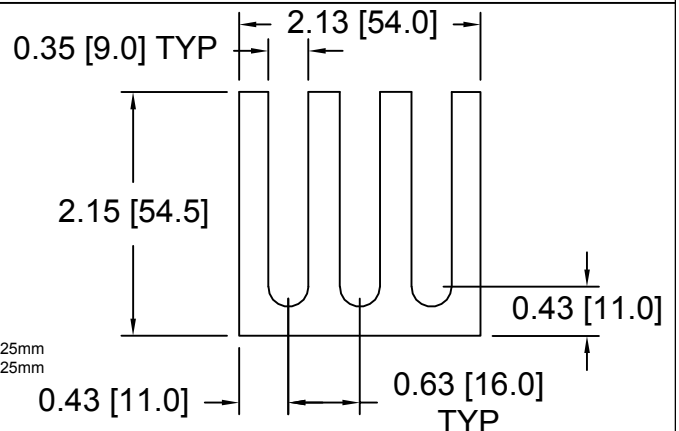


DSCH082 Series - Individual Shims

DSC Part No.	Description	Thickness	Other part numbers
DSCH082-M025	Metric thickness shim	.25mm	DSC302L
DSCH082-M050	Metric thickness shim	.50mm	DSC305L
DSCH082-M100	Metric thickness shim	1.00mm	DSC310L
DSCH082-M200	Metric thickness shim	2.00mm	DSC320L

DSCH082 Series - Shim Sets

DSC Part No.	Description	Thickness	Set includes
DSCH082-M454	Four piece metric shim set	4.50mm	(1) 2.00mm, (2) 1.00mm, (1) .50mm
DSCH082-M505	Five piece metric shim set	5.00mm	(1) 2.00mm, (2) 1.00mm, (2) .50mm
DSCH082-M506	Six piece metric shim set	5.00mm	(1) 2.00mm, (2) 1.00mm, (1) .50mm, (2) .25mm
DSCH082-M507	Seven piece metric shim set	5.00mm	(1) 2.00mm, (1) 1.00mm, (3) .50mm, (2) .25mm
DSCH082-M605	Five piece metric shim set	6.00mm	(2) 2.00mm, (1) 1.00mm, (2) .50mm



Douglas Stamping Company (248) 542-3940 FAX (248) 542-6342

<http://dougstampco.com> sales@dougstampco.com