

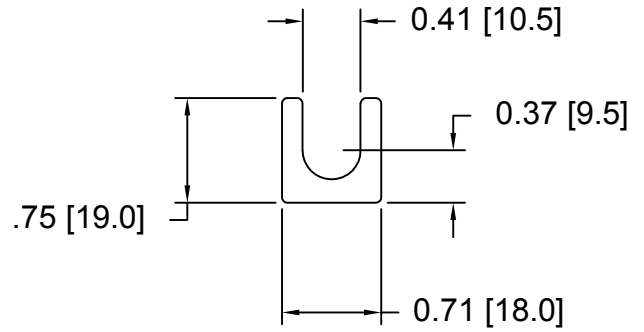
# Shims

Drawings are not to scale

Sets are bulk shipped Slots and holes are centered unless otherwise noted  
Most spacers are etched on the side with thickness

## DSCH119 Series Shims

DSC Part No.	Thickness	Other part numbers
DSCH119-M025	0.25MM	TYPE 1-T025, DSC1918-51
DSCH119-M050	0.50MM	TYPE 1-T050, DSC1918-52
DSCH119-M100	1.00MM	TYPE 1-T100, DSC1918-53
DSCH119-M200	2.00MM	TYPE 1-T200, DSC1918-54

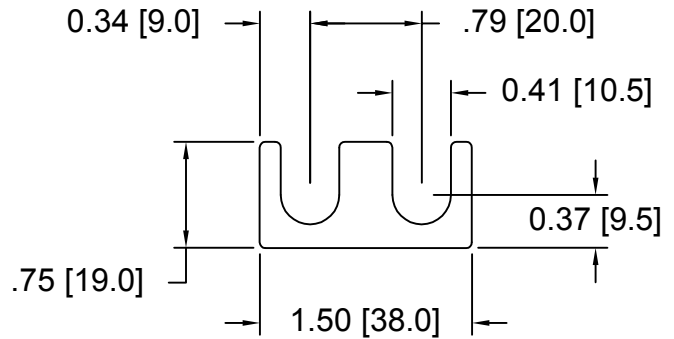


## DSCH119 Series - Shim Sets

DSC Part No.	Description	Thickness	Set includes
DSCH119-M505	Five piece metric shim set	5.00mm	(1) 2.00mm, (2) 1.00mm, (2) .50mm
DSCH119-M507	Seven piece metric shim set	5.00mm	(1) 2.00mm, (1) 1.00mm, (3) .50mm, (2) .25mm

## DSCH120 Series Shims

DSC Part No.	Thickness	Other part numbers
DSCH120-M025	0.25MM	TYPE 2-T025, DSC1938-51
DSCH120-M050	0.50MM	TYPE 2-T050, DSC1938-52
DSCH120-M100	1.00MM	TYPE 2-T100, DSC1938-53
DSCH120-M200	2.00MM	TYPE 2-T200, DSC1938-54

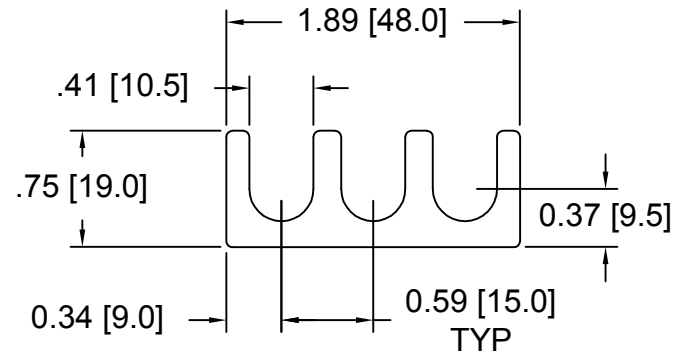


## DSCH120 Series - Shim Sets

DSC Part No.	Description	Thickness	Set includes
DSCH120-M505	Five piece metric shim set	5.00mm	(1) 2.00mm, (2) 1.00mm, (2) .50mm
DSCH120-M507	Seven piece metric shim set	5.00mm	(1) 2.00mm, (1) 1.00mm, (3) .50mm, (2) .25mm

## DSCH121 Series Shims

DSC Part No.	Thickness	Other part numbers
DSCH121-M025	0.25MM	TYPE 3-T025, DSC1948-51
DSCH121-M050	0.50MM	TYPE 3-T050, DSC1948-52
DSCH121-M100	1.00MM	TYPE 3-T100, DSC1948-53
DSCH121-M200	2.00MM	TYPE 3-T200, DSC1948-54

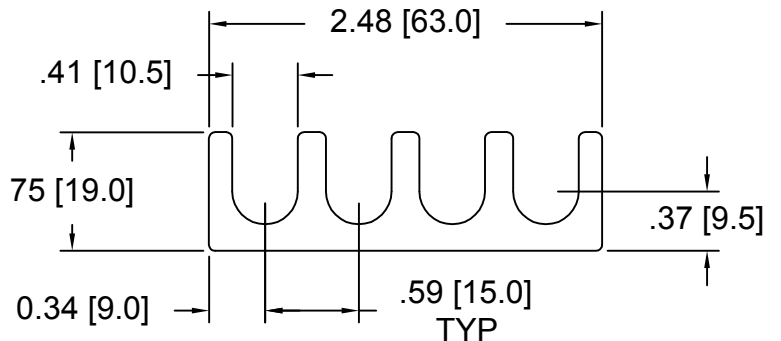


## DSCH121 Series - Shim Sets

DSC Part No.	Description	Thickness	Set includes
DSCH121-M505	Five piece metric shim set	5.00mm	(1) 2.00mm, (2) 1.00mm, (2) .50mm
DSCH121-M507	Seven piece metric shim set	5.00mm	(1) 2.00mm, (1) 1.00mm, (3) .50mm, (2) .25mm

## DSCH122 Series Shims

DSC Part No.	Thickness	Other part numbers
DSCH122-M025	0.25MM	TYPE 4-T025, DSC1963-51
DSCH122-M050	0.50MM	TYPE 4-T050, DSC1963-52
DSCH122-M100	1.00MM	TYPE 4-T100, DSC1963-53
DSCH122-M200	2.00MM	TYPE 4-T200, DSC1963-54



## DSCH122 Series - Shim Sets

DSC Part No.	Description	Thickness	Set includes
DSCH122-M505	Five piece metric shim set	5.00mm	(1) 2.00mm, (2) 1.00mm, (2) .50mm
DSCH122-M507	Seven piece metric shim set	5.00mm	(1) 2.00mm, (1) 1.00mm, (3) .50mm, (2) .25mm

Douglas Stamping Company (248) 542-3940 FAX (248) 542-6342

<http://dougstampco.com> [sales@dougstampco.com](mailto:sales@dougstampco.com)