

SPACERS

Drawings are not to scale

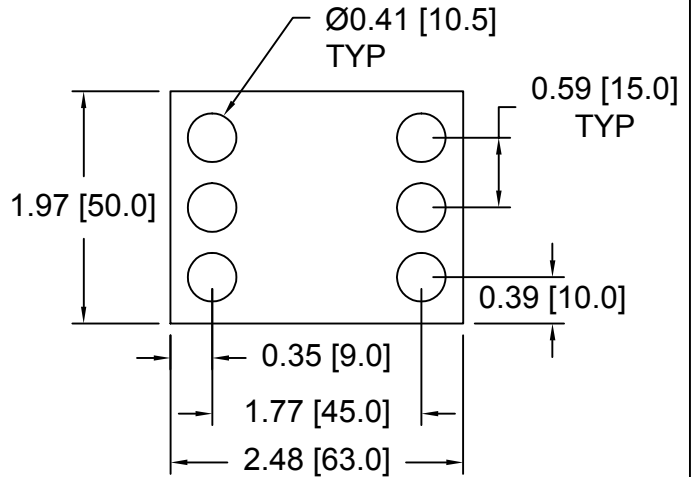
Metric spacers are black oxidized

Slots and holes are centered unless otherwise noted

Most spacers are etched on the side with thickness

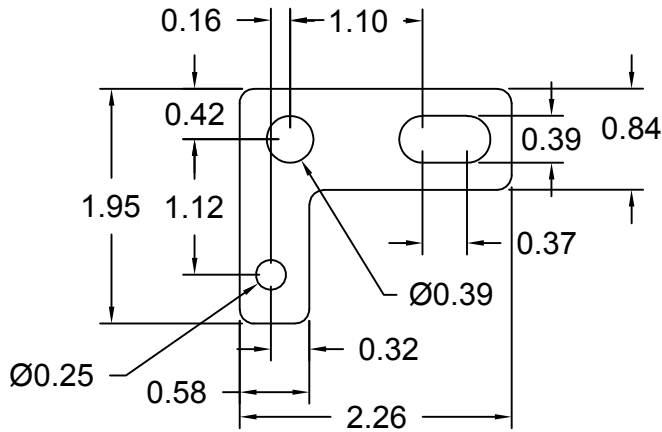
DSCP053 Series Spacers

DSC Part No.	Thickness	Other part numbers
DSCP053-M025	0.25mm	ASP602
DSCP053-M050	0.50mm	ASP605
DSCP053-M100	1.00mm	ASP610
DSCP053-M200	2.00mm	ASP620
DSCP053-M300	3.00mm	ASP630, FSD 41296-51, SP3-30, 41-502-2242, 56ZF28066-101
DSCP053-M320	3.20mm	ASP632, FSD 41296-52, SP3-32, 41-502-2243, 56ZF28066-102
DSCP053-M340	3.40mm	ASP634, FSD 41296-53, SP3-34, 41-502-2244, 56ZF28066-103
DSCP053-M360	3.60mm	ASP636, FSD 41296-54, SP3-36, 41-502-2245, 56ZF28066-104
DSCP053-M380	3.80mm	ASP638, FSD 41296-55, SP3-38, 41-502-2246, 56ZF28066-105
DSCP053-M400	4.00mm	ASP640, FSD 41296-56, SP3-40, 41-502-2247, 56ZF28066-106
DSCP053-M420	4.20mm	ASP642, FSD 41296-57, SP3-42, 41-502-2248, 56ZF28066-107
DSCP053-M440	4.40mm	ASP644, FSD 41296-58, SP3-44, 41-502-2249, 56ZF28066-108
DSCP053-M460	4.60mm	ASP646, FSD 41296-59, SP3-46, 41-502-2250, 56ZF28066-109
DSCP053-M480	4.80mm	ASP648, FSD 41296-60, SP3-48, 41-502-2251, 56ZF28066-110
DSCP053-M500	5.00mm	ASP650, FSD 41296-61, SP3-50, 41-502-2252, 56ZF28066-111
DSCP053-M520	5.20mm	ASP652, FSD 41296-62, SP3-52, 41-502-2253, 56ZF28066-112
DSCP053-M540	5.40mm	ASP654, FSD 41296-63, SP3-54, 41-502-2254, 56ZF28066-113
DSCP053-M560	5.60mm	ASP656, FSD 41296-64, SP3-56, 41-502-2255, 56ZF28066-114
DSCP053-M580	5.80mm	ASP658, FSD 41296-65, SP3-58, 41-502-2256, 56ZF28066-115
DSCP053-M600	6.00mm	ASP660, FSD 41296-66, SP3-60, 41-502-2257, 56ZF28066-116
DSCP053-M620	6.20mm	ASP662, FSD 41296-67, SP3-62, 41-502-2258, 56ZF28066-117
DSCP053-M640	6.40mm	ASP664, FSD 41296-68, SP3-64, 41-502-2259, 56ZF28066-118
DSCP053-M660	6.60mm	ASP666, FSD 41296-69, SP3-66, 41-502-2260, 56ZF28066-119
DSCP053-M680	6.80mm	ASP668, FSD 41296-70, SP3-68, 41-502-2261, 56ZF28066-120
DSCP053-M700	7.00mm	ASP670, FSD 41296-71, SP3-70, 41-502-2262, 56ZF28066-121



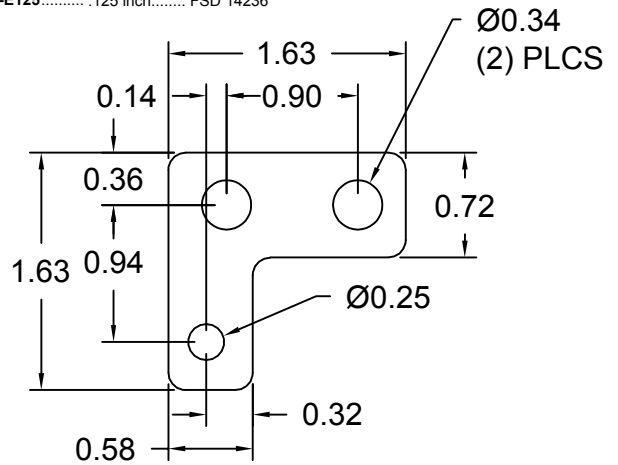
DSCP054 Series Spacers

DSC Part No.	Thickness	Other part numbers
DSCP054-E125	.125 inch	FSD 14237



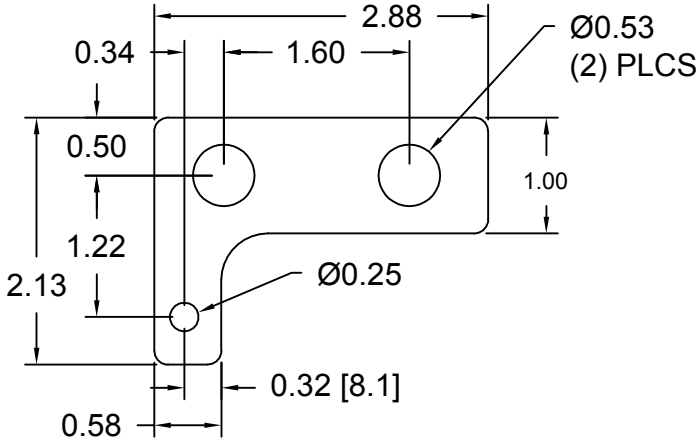
DSCP055 Series Spacers

DSC Part No.	Thickness	Other part numbers
DSCP055-E125	.125 inch	FSD 14236



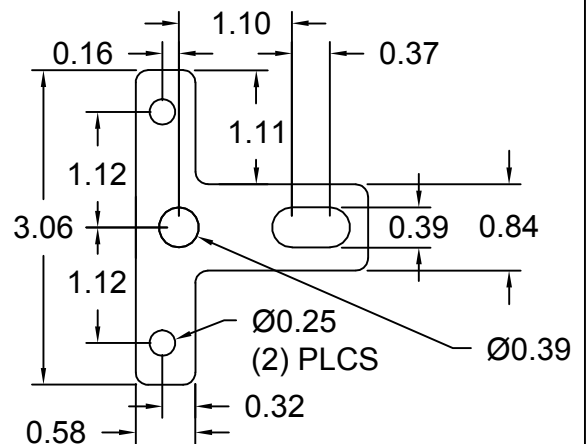
DSCP056 Series Spacers

DSC Part No.	Thickness	Other part numbers
DSCP056-E125	.125 inch	FSD 14235



DSCP057 Series Spacers

DSC Part No.	Thickness	Other part numbers
DSCP057-E125	.125 inch	FSD 14240



Douglas Stamping Company (248) 542-3940 FAX (248) 542-6342

<http://dougstampco.com> sales@dougstampco.com